

UK

HE-VA

Operating Instructions
Spare Parts List
Declaration of Conformity

As good as it looks

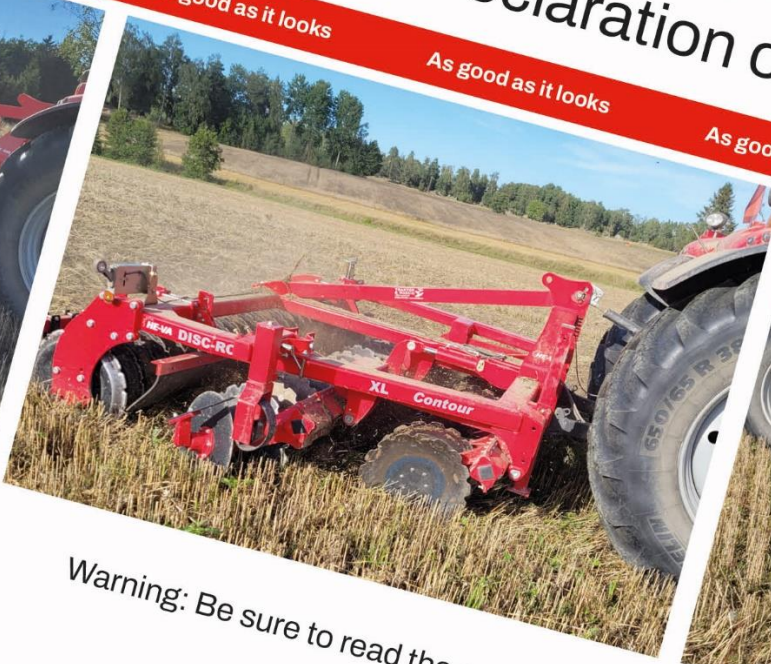
As good as it looks

As good as it looks

As good as it looks

As good as it looks

As good as it looks



Warning: Be sure to read the operation instructions before using the machine.

Disc-Roller XL Contour

Three-Point Mounted: 2.50 - 3.00 - 3.50 - 4.00 m



N. A. Christensensvej 34
DK-7900 Nykøbing Mors
Tel: 97724288

www.he-va.com

Manual nr. 8000011-04 29-04-26

Contents

EC DECLARATION OF CONFORMITY	3
Delivery check.....	4
Setting-up of the machine	4
Safety instructions for Disc-Roller XL Contour.....	5
Safety and Instructions on Hydraulics	6
Complaints/disposal	6
Labels on the machine	7
Safety – and other markings on the machine.....	7
Technical Specifications/Data	8
Three-Point Mounted Disc Roller XL Contour.....	8
Trailed Disc Roller XL Contour	9
Start-up of the machine.....	10
Transport	11
Drawbar	12
Disc.....	12
Edge equipment	13
Scraper	14
Material-damper-guard.....	14
Maintenance and service	15
Lubrication	15
Notes	16
Spare part list.....	17
Drawbar (Trailed model).....	17
Wheel frame (Trailed model).....	19
Frame 2,5 - 3,0 - 3,5 - 4,0m	21
Disc bars.....	23
Disc.....	25
Complete disc.....	25
Edge equipment	26
Single V-Profile roller – scraper – material damper guard– U-Profile roller	28
Twin U/V-Profile roller – material damper guard	29
Material damper guard by mounting of scraper	32
Lights	33
Extra equipment.....	35
El-depth stop for disc.....	35
Spring-Board 2,5 m – 3,0 m – 3,5 m	38
Spring-Board 4,0 m	39
Long finger after-harrow 4,0m (Three-point mounted model)	42
Long finger after-harrow 2,5 m (Trailed)	44
Long finger after-harrow 3,0 – 3,5 – 4,0 m. (Trailed)	45
Support wheels with Spring-Board.....	48
Support wheels without Spring-Board	50
Spindle f/support wheel	52

Top-Cutter53
Spring-board on Top-Cutter bracket53
Diagrams56
El. depth stop56
Hydraulic brakes.....57
Air brakes58
Notes62





EC DECLARATION OF CONFORMITY

in accordance with the EU Machinery Directive 2006/42/EC
applicable as from December 29th 2009:

HE-VA ApS
N. A. Christensensvej 34,
DK-7900 Nykøbing Mors

hereby confirms that the following machine has been manufactured in accordance with the Council Directive
2006/42/EC.

The declaration comprises the following machine:

Disc-Roller XL Contour
2,5 - 3,0 - 3,5 - 4,0m Three-Point mounted and trailed

Nykøbing the 29th of April. 2026

A handwritten signature in black ink, appearing to read 'Villy Christiansen', is written over a horizontal line. The signature is cursive and extends to the right of the line.

Villy Christiansen

The undersigned is furthermore authorised to compile technical documentation for the above machine.

Description of the Machine

The Disc-Roller XL Contour is a versatile disc cultivator. It can be used to mix stubble and other crop residues with a working depth of up to 175 mm in reduced tillage operations. It is also an outstanding implement for preparing ploughed soil before sowing.

With its high own weight and large discs, it achieves very effective cutting while providing good consolidation of the cultivated soil. Despite offering excellent soil and residue flow, the machine has a compact design, making it easy to manoeuvre both in the field and on the road.

The larger discs are also available in two variants: one with a finer cutting profile and one with a coarser profile. Both versions penetrate deeper into the soil, where they effectively incorporate crop and stubble residues – even large quantities of material such as maize stalks or cover crops are worked in without difficulty.

The large discs are arranged in an offset pattern, which allows maximum movement and mixing of soil and straw material even during shallow cultivation. As they are also stronger and designed with larger serrations, they achieve excellent soil grip. The risk of rotation being blocked during operation is minimized.

The Disc-Roller XL Contour is designed with greater frame clearance than smaller disc cultivators to accommodate the large discs and ensure optimal soil flow. With good soil flow, crop residues can be incorporated more easily, creating optimal conditions for seedbed preparation and germination.

Delivery check

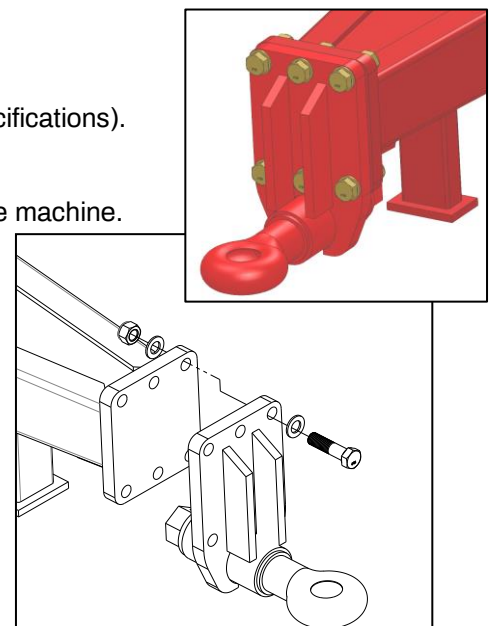
Setting-up of the machine

Check :

- the roller for any damage.
- the roller for any paint damage during transport.
- the hydraulic hoses for cuts and squeezing damage. Check also that the other hydraulic components have not been damaged during transport.
- that the frame construction has not been damaged.
- that the transport wheel nuts are tightened and OK.
- the air pressure in the tyres (according to the technical specifications).
- that all wearing parts are intact.
- that all distance clips for depth control are delivered with the machine.
- and test the lights, (if mounted).

Check the tightening:

- of wheel bolts x-Nm according to specifications
- flange for towing eye **6 pcs of bolts** Nm according to specifications



Safety instructions for Disc-Roller XL Contour

Do not start-up the machine if there are **persons in exposed positions*** within a **hazardous area****.

When persons are in exposed positions (e.g. in connection with adjustment, maintenance, attachment and uncoupling), the following conditions must be observed:

- The machine must be lowered to firm ground.
- The hydraulics must be relieved.
- The tractor must be stopped and the key removed from the ignition switch.
- The driver must ensure that no persons are staying in exposed positions during the operation.

*** Person in exposed position: Any person who is staying wholly or partly within a hazardous area.**

**** Hazardous area: On and under the machine within a distance of 4 m from the machine.**

Most accidents that happen in connection with the operation, transport and maintenance of machines are caused by non-compliance with the most elementary safety conditions.

Therefore it is vital that anybody working at the machine carefully complies with the safety instructions as well as other instructions applying to the machine.

The machine may only be operated, maintained and repaired by persons, who are familiar with this work and who are further familiar with the possible elements of danger with this particular machine.

ATTENTION !! Rotary parts and loose clothes are a dangerous combination.

IMPORTANT !! In connection with the risk of parts falling down, it may endanger the lives of persons staying on the base frame of the machine, when it is operated attached to a tractor.

IMPORTANT!! In connection with transport and storage, the safety lock must be activated.



Safety and Instructions on Hydraulics

1. The maximum working pressure is 225 bar.
2. It is advisable to label the attachment parts at hydraulic connections between the tractor and the tool in order to eliminate incorrect operation!
3. When checking for hydraulic leaks, use suitable safety wear (eye protectors, gloves, etc.)
High-pressure hydraulic oil may penetrate the skin and cause dangerous injuries.
In case of injury, consult a doctor immediately. **RISK OF INFECTION!**
4. After operating the hydraulics, lower the machine to firm ground.
Relieve the hydraulics, stop the motor and remove the ignition key.
5. Check the hydraulic hoses on a regular basis, however, every six months as a minimum due to any cracks, wear and tear, etc. Replace any defective hoses immediately.
6. The life of hydraulic hoses is maximum 5 years.
New hydraulic hoses must meet the manufacturer's requirements.

Complaints/disposal

2-year guarantee:

2-year guarantee on all material and design defects, provided that HE-VA's operating instructions are followed and that only original HE-VA components have been used. All warranty repair work is only performed according to a prior agreement with HE-VA and within normal working hours. Machines for improvement shall be submitted in cleaned condition.

The second year of the guarantee period only includes delivery of components and not replacement of these.

No compensation for loss of operation and profit or other indirect losses.

With front-mounted tools, HE-VA disclaims any liability for the tractor.

Disposal: When, after many years of use, the machine can be regarded as end-of-life, it must be handed over to a registered and approved product dealer. This will carry out the statutory draining and disposal of hydraulic oil, as well as sorting of materials with a view to further processing for recycling.

INSTRUCTIONS ON TRANSPORT ON THE PUBLIC ROADS

Check before transport on public roads that the attachment of the machine at the tractor is in accordance with the local rules and regulations in force (permitted total weight, permitted axle load, transport width, lights, warning signs, etc.).

FRONT AXLE LOAD

After the attachment of the machine and at maximum load, the driving properties of the tractor must be ensured. Check that the front axle is sufficiently loaded. As a minimum, the front axle load must be 20% of the tractor weight. Permitted axle load and permitted total weight for the tractor must always be observed.

NB! The driving, controlling and braking properties are affected by the attached machine combination.



Labels on the machine

You will find several labels on your Disc-Roller containing **safety** and practical instructions as regards the correct application of the machine. Please study the instructions and point out to the user the importance of the labels as well as the **safety instructions** in these Operating Instructions. Always keep the labels clean and readable – if not they must be replaced.

Safety – and other markings on the machine



Study the Operating Instructions thoroughly before any operation of the machine and observe all safety instructions

Reorder number: 1305028



Plate with number and year of manufacture



Tighten up the bolts regularly. If this is not performed, our warranty obligations will no longer apply.

Reorder number: 1305030

Maximum torque in Nm. w/lubricated thread			
Metric thread	Quality 8.8	Quality 10.9	Quality 12.9
M10x1,5	47	65	79
M12x1,75	81	114	136
M14x2,0	128	181	217
M16x2,0	197	277	333
M18x2,5	275	386	463
M20x2,5	385	541	649
M22x2,5	518	728	874
M24x3,0	665	935	1120
Wheel nut M18x1,5 fine thread		385 Nm	
Wheel nut M22x1,5 fine thread		550 Nm	



Technical Specifications/Data

Three-Point Mounted Disc Roller XL Contour

Model	Rollertype / Diameter	No. of rings	Working width	Weight kg	No. of disc	Power Requirement, HP
2,5 m	Square Tube Roller / 550m	-	2,25 m	1330	18	80 +
	Wave roller / 600 mm	16	2,25 m	1600	18	80 +
	Single U-Profile 600 mm	16	2,25 m	1680	18	90 +
	Single V-Profile 600 mm	16	2,25 m	1850	18	90 +
	Single V-Profile 700 mm	16	2,25 m	2010	18	90 +
	Twin U-Profile 600-600 mm	16	2,25 m	1820	18	90 +
	Twin V-Profile 600-600 mm	16	2,25 m	2110	18	90 +
	Twin V-Profile 700-700 mm	16	2,25 m	2220	18	90 +
3,0 m	Square Tube Roller / 550m	-	2,75 m	1540	22	90 +
	Wave roller / 600 mm	20	2,75 m	1890	22	90 +
	Single U-Profile 600 mm	20	2,75 m	1990	22	100 +
	Single V-Profile 600 mm	20	2,75 m	2160	22	100 +
	Single V-Profile 700 mm	20	2,75 m	2340	22	100 +
	Twin U-Profile 600-600 mm	20	2,75 m	2140	22	100 +
	Twin V-Profile 600-600 mm	20	2,75 m	2430	22	100 +
	Twin V-Profile 700-700 mm	20	2,75 m	2560	22	100 +
3,5 m	Square Tube Roller / 550m	-	3,25 m	1670	26	100 +
	Wave roller / 600 mm	23	3,25 m	2205	26	100 +
	Single U-Profile 600 mm	23	3,25 m	2310	26	110 +
	Single V-Profile 600 mm	23	3,25 m	2485	26	110 +
	Single V-Profile 700 mm	23	3,25 m	2695	26	110 +
	Twin U-Profile 600-600 mm	23	3,25 m	2465	26	110 +
	Twin V-Profile 600-600 mm	23	3,25 m	2775	26	110 +
	Twin V-Profile 700-700 mm	23	3,25 m	2925	26	110 +
4,0 m	Square Tube Roller / 550m	-	3,75m	1980	30	110 +
	Wave roller / 600 mm	26	3,75m	2520	30	110 +
	Single U-Profile 600 mm	26	3,75m	2630	30	120 +
	Single V-Profile 600 mm	26	3,75m	2810	30	120 +
	Single V-Profile 700 mm	26	3,75m	3050	30	120 +
	Twin U-Profile 600-600 mm	26	3,75m	2790	30	120 +
	Twin V-Profile 600-600 mm	26	3,75m	3120	30	120 +
	Twin V-Profile 700-700 mm	26	3,75m	3295	30	120 +
No of hydraulic outlets:			1 double-acting			
Hydraulic pressure (min.):			190 Bar			
Max. working depth:			12 cm			
Working speed (recommended):			10 – 16 km/t			



Trailed Disc Roller XL Contour

Model	Rollertype / Diameter	No. of rings	Working width	Weight kg	No. of disc	Power Requirement, HP
2,5 m	Wave roller / 600 mm	16	2,25 m	2080	18	80 +
	Single U-Profile 600 mm	16	2,25 m	2310	18	90 +
	Single V-Profile 600 mm	16	2,25 m	2480	18	90 +
	Single V-Profile 700 mm	16	2,25 m	2660	18	90 +
	Twin U-Profile 600-600 mm	16	2,25 m	2470	18	90 +
	Twin V-Profile 600-600 mm	16	2,25 m	2760	18	90 +
	Twin V-Profile 700-700 mm	16	2,25 m	2865	18	90 +
3,0 m	Wave roller / 600 mm	20	2,75 m	2190	22	90 +
	Single U-Profile 600 mm	20	2,75 m	2640	22	100 +
	Single V-Profile 600 mm	20	2,75 m	2810	22	100 +
	Single V-Profile 700 mm	20	2,75 m	2990	22	100 +
	Twin U-Profile 600-600 mm	20	2,75 m	2790	22	100 +
	Twin V-Profile 600-600 mm	20	2,75 m	3080	22	100 +
	Twin V-Profile 700-700 mm	20	2,75 m	3210	22	100 +
3,5 m	Wave roller / 600 mm	23	3,25 m	2320	26	100 +
	Single U-Profile 600 mm	23	3,25 m	2960	26	110 +
	Single V-Profile 600 mm	23	3,25 m	3135	26	110 +
	Single V-Profile 700 mm	23	3,25 m	3345	26	110 +
	Twin U-Profile 600-600 mm	23	3,25 m	3115	26	110 +
	Twin V-Profile 600-600 mm	23	3,25 m	2425	26	110 +
	Twin V-Profile 700-700 mm	23	3,25 m	2575	26	110 +
4,0 m	Wave roller / 600 mm	26	3,75m	2630	30	110 +
	Single U-Profile 600 mm	26	3,75m	3280	30	120 +
	Single V-Profile 600 mm	26	3,75m	3460	30	120 +
	Single V-Profile 700 mm	26	3,75m	3700	30	120 +
	Twin U-Profile 600-600 mm	26	3,75m	3440	30	120 +
	Twin V-Profile 600-600 mm	26	3,75m	3770	30	120 +
	Twin V-Profile 700-700 mm	26	3,75m	3945	30	120 +
No of hydraulic outlets:			2 double-acting			
Hydraulic pressure (min.):			190 Bar			
Max. working depth:			12 cm			
Working speed (recommended):			10 – 16 km/t			
Wheel installation			400/60x15.5 16 PLY			
Tyrepressure at 15 km/t			2,0 bar / 29 p.s.i			
Tyrepressure at 40 km/t			3,4 bar / 49 p.s.i			
The Hydraulicsystem is filled with oil Hydro Texaco HD32, Specifikation DIN 51524-3 / ISO 11158 L-HV						

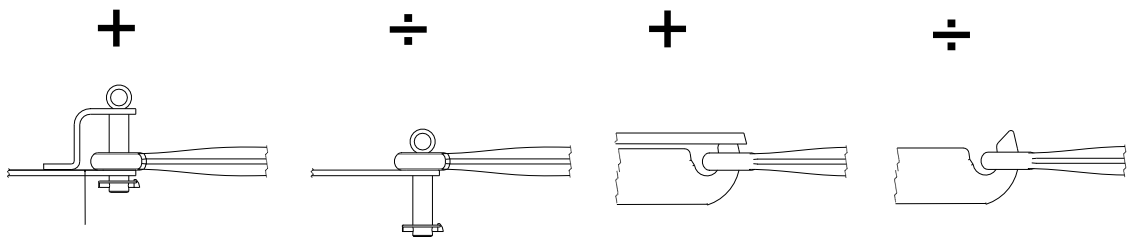
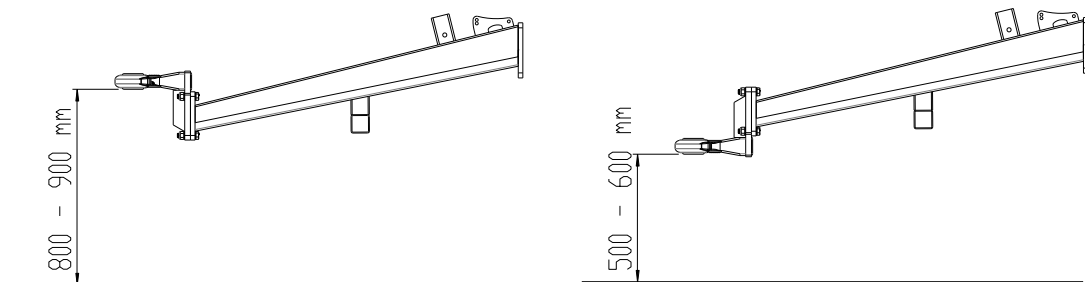


Start-up of the machine

General Information

The machine is supplied as standard in transport position. At start-up, attach the machine to the tractor.

Important: check the the towingeye of the machine is the same as the tractors towing height.



The machine requires one double-acting hydraulic outlet (mounted to the lift) or two double-acting hydraulic outlets (trailed).

The hoses for the drawbar/wheel cylinder are fitted with **red** cable ties.

The hoses for the disc-cylinder are fitted with **green** cable ties.

Attachment, Mounted Model

1. Reverse the tractor to the machine and attach.
2. Connect all hydraulic hoses to the tractor outlets.
3. Lift the machine to maximum transport height.
4. The edge equipment is unfolded into working position.
5. The discs can now be raised and lowered to the desired working depth.



Attachment, Trailed Model

1. Reverse the tractor to the machine.
2. Connect all hydraulic hoses to the tractor outlets.
3. Pressurise the drawbar - and the wheel cylinder (**red**) so that the machine drawbar is lifted to the suitable height.
4. Then reverse the tractor and attach the machine.
5. The machine is now raised to maximum height, and the depth stop is tilted backwards towards the drawbar cylinder.
6. The edge equipment is unfolded into working position.
7. The discs can now be raised and lowered to the desired working depth.

Transport

1. The edge equipment is folded in over the machine.
2. The discs are raised completely.
3. The machine is raised to the maximum transportation height.
4. Now the machine is ready for transport.

Uncoupling, Mounted Model

1. Put down the machine on firm ground and relieve all hydraulic hoses.
2. Now the machine may be uncoupled.

Uncoupling, Trailed Model

1. Lift the machine up and tilt the depth stop on the drawbar forward towards the tractor.
2. Now lower the machine onto firm ground.
3. Adjust the drawbar – and wheel cylinder (**red**) so that the drawing bolt is loose.
4. Now the machine may be uncoupled
5. Drive the tractor a little forward and then relieve all hydraulic hoses.

Important:

**Put the machine on level ground
and relieve the hydraulics, before
leaving the machine.**



Settings and adjustment

When starting up the Disc-Roller XL Contour in the it is very important that the machine is parallel with the surface of the earth. The packing roller and the tractor keep the machine in an exact working depth.

Drawbar

The horizontal position is adjusted on:

Mounted models:

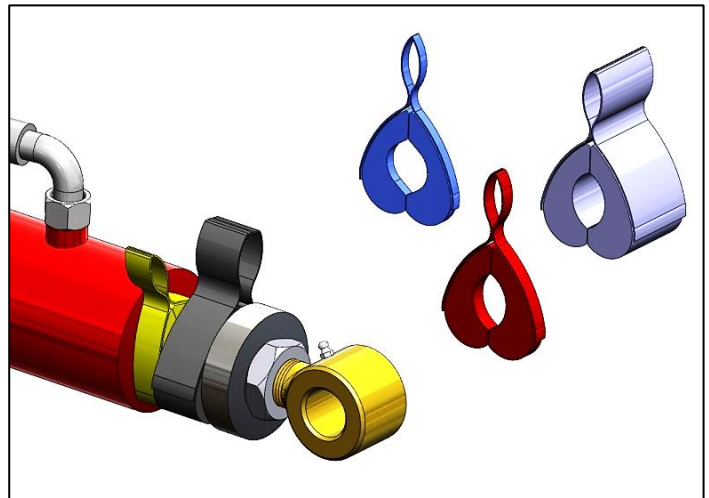
By means of the top link

Trailed models:

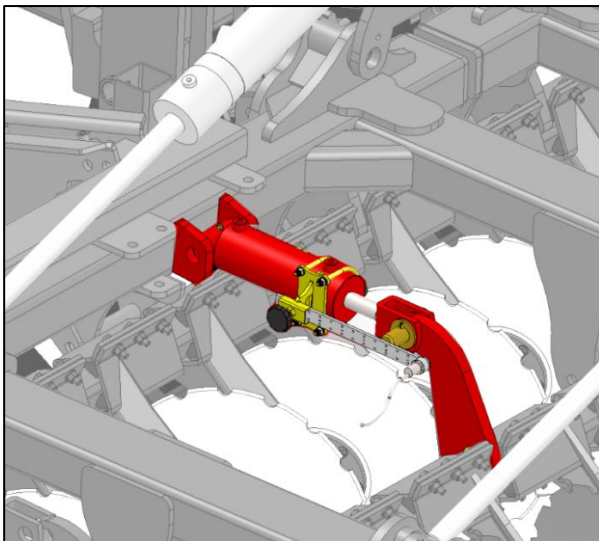
By means of distance clips on the drawbar cylinder

Height of the towing eye: approx. 500-550 mm

For



Disc

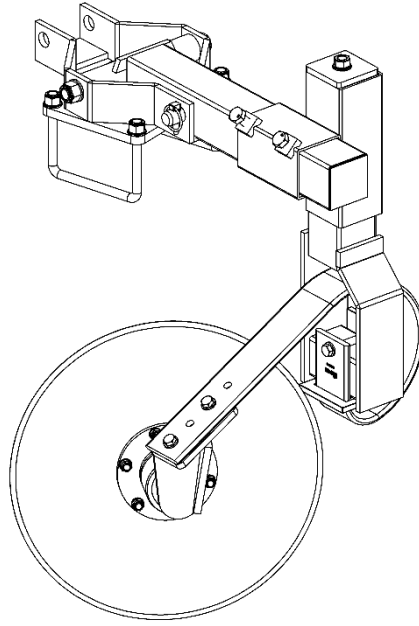


The Discs are adjusted up or down by a hydraulic Master-Slave system.

It is important that the discs are regularly lifted to the top, to reset the Master-Slave system. The depth position is readable on the scale (standard). The sensor can be adjusted, where el. depth stop is mounted. It is possible to over steer the electrical system by turning off the switch mounted in the cabin, now the discs can pass the sensor, thereby a deeper working depth is achieved e.g. at headland and tramlines

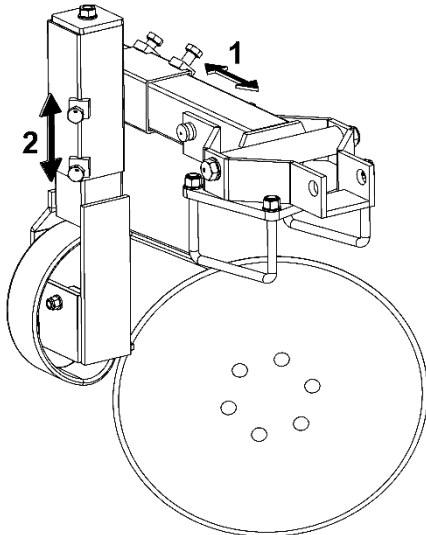


Edge equipment



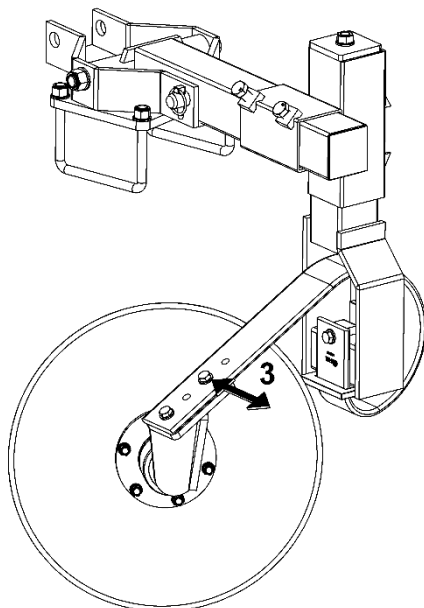
Edge equipment for Disc-Roller XL Contour

The disc can be adjusted so that excavated soil is collected. Keep the disc away from the ground to avoid bending when turning.



The edge equipment can be adjusted three places:

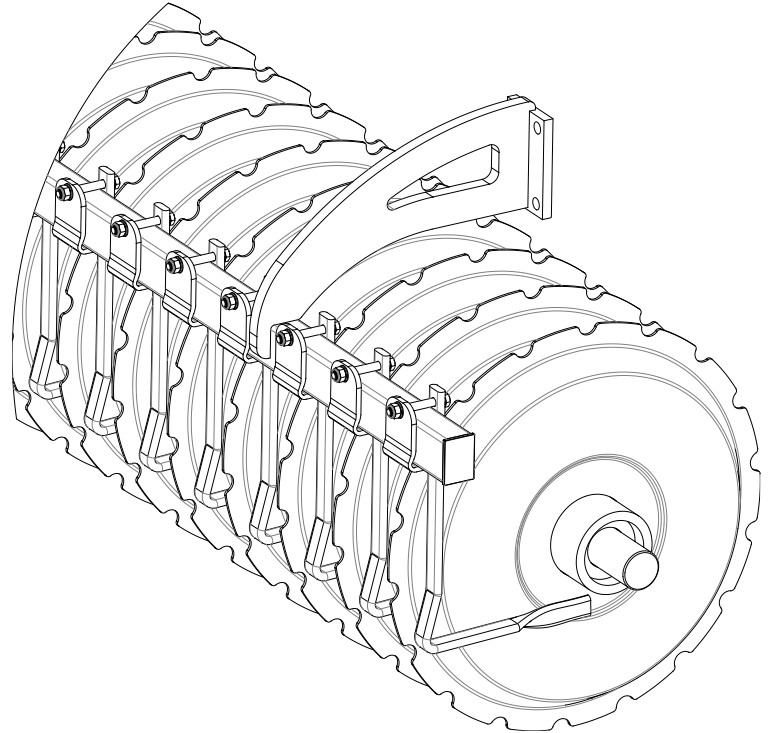
1. Loosen two bolts – move the arm out/in.
2. Use the spindle – it raises and lowers the disc. Loosen two bolts – raise/lower by the spindle and retighten the bolts.
3. Loosen one bolt – tilt the disc more or less.



Scraper

The Disc-Roller Contour has special designed scrapers among the packer rings on the single VProfile and U-Profile as well as on the Wave Roller.

To avoid unnecessary wear and to obtain the best scraper effect it is important to check the centering of the scrapers every day.

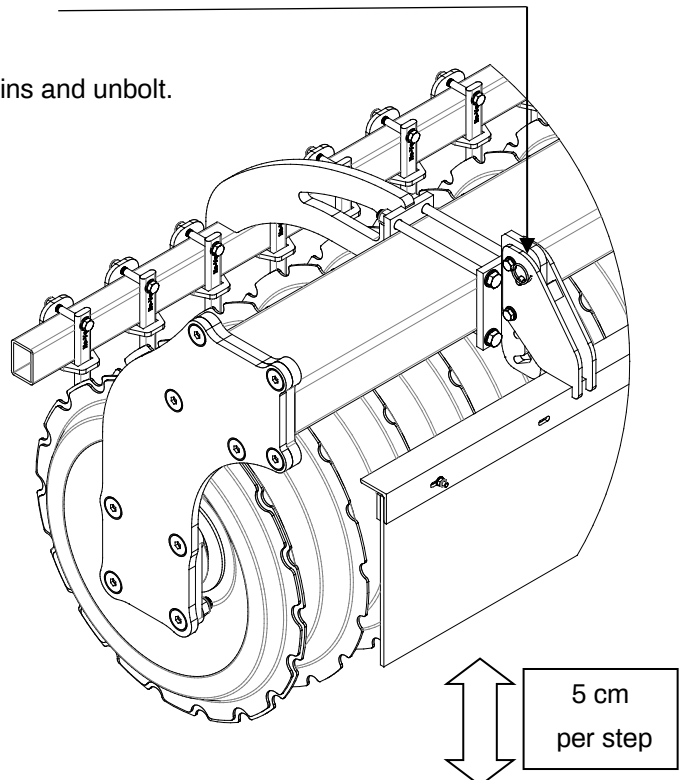


Material-damper-guard

The Disc-Roller XL Contour can be equipped with material damper guard, ensuring that excavated soil from the discs is falling down before packing.

The material damper guard is height adjustable in 5 cm steps, by unlocking 1 pin in each bracket.

To dismount the material damper guard, unlock pins and unbolt.



Maintenance and service

Lubrication

Retighten all of the bolts after approx. 10 hours of operation. Failure to comply with this will void our warranty obligations.

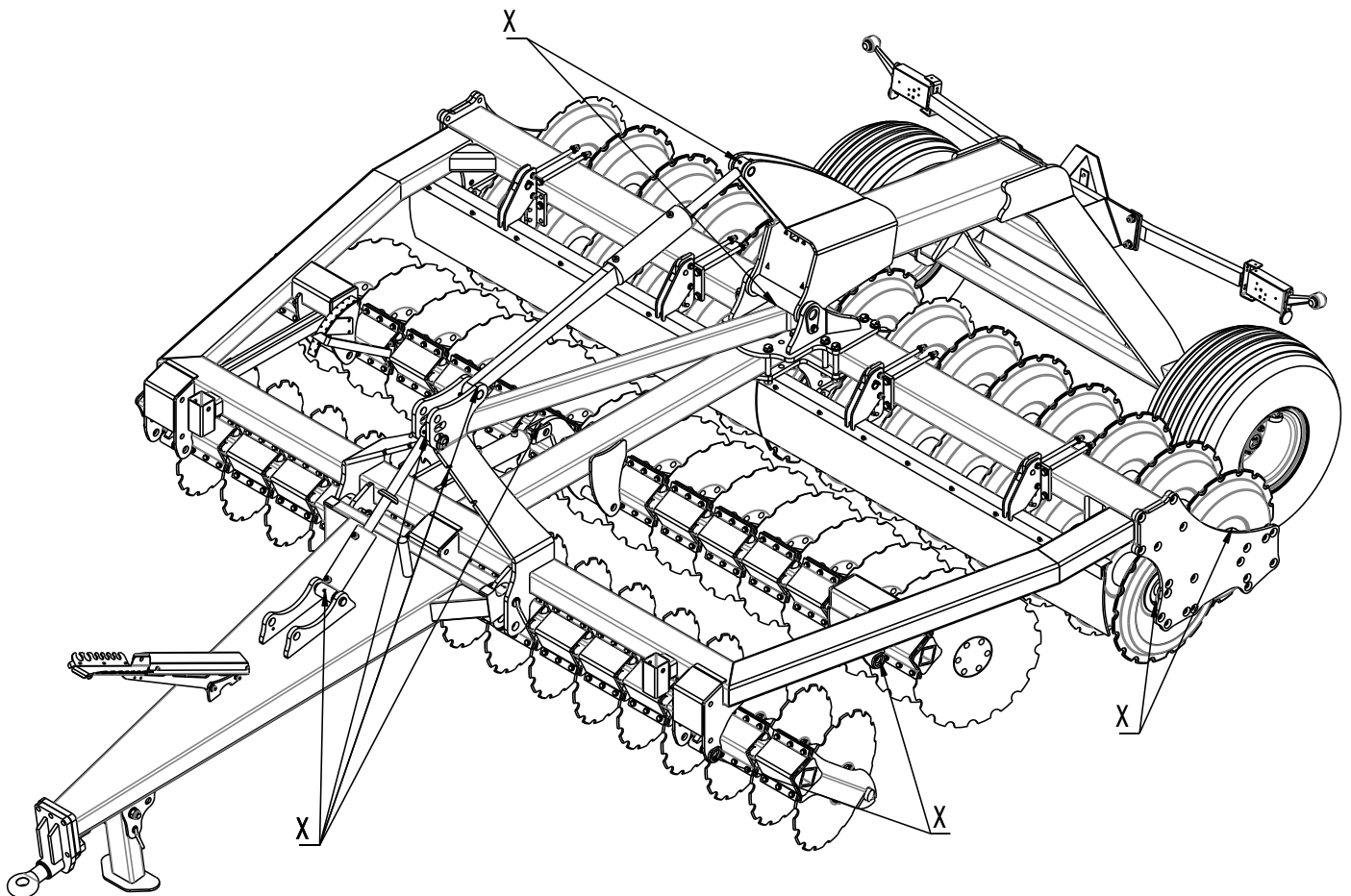
1. Lubricate the roller bearings twice a year or after washing.
2. The cylinder and bushings on the discs, disc base etc. must be lubricated every 25 hours.
3. After end season, grease and wash machine, and grease the piston rods.

Important:

Oil, type Hydro Texaco HD 32 has been filled in the hydraulic system.

After 10 hours of operation, retighten the machine. Check hydraulic hoses, fittings and cylinders for leaks and retighten. Check on a regular basis that all bolts are tightened.

Before the winter storage, wash and lubricate the machine. If you use high-pressure cleaner, do not spray directly on the ball bearings. After the washing, you may spray the machine with oil.



X = Points of lubrications



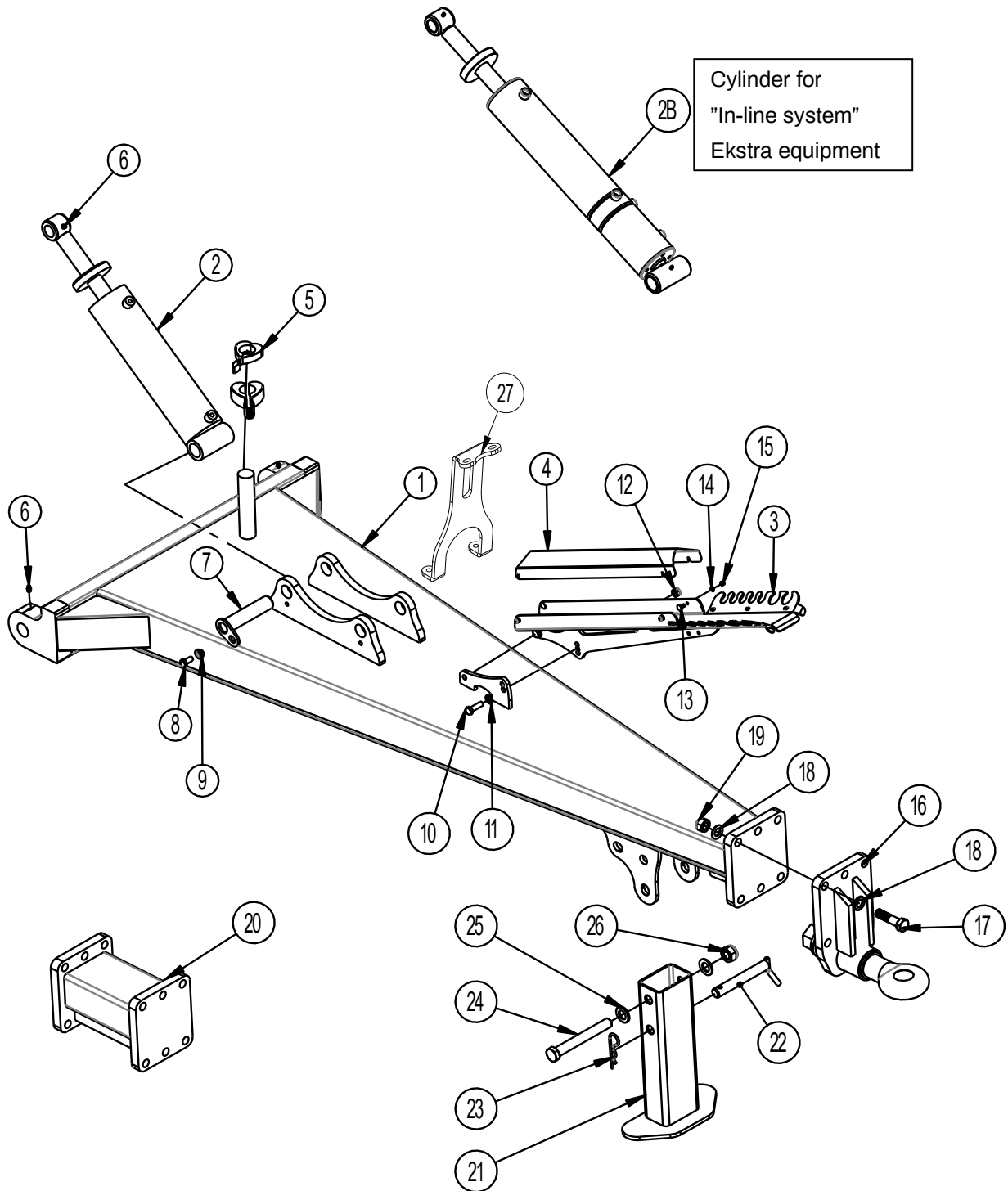
Notes

--	--



Spare part list

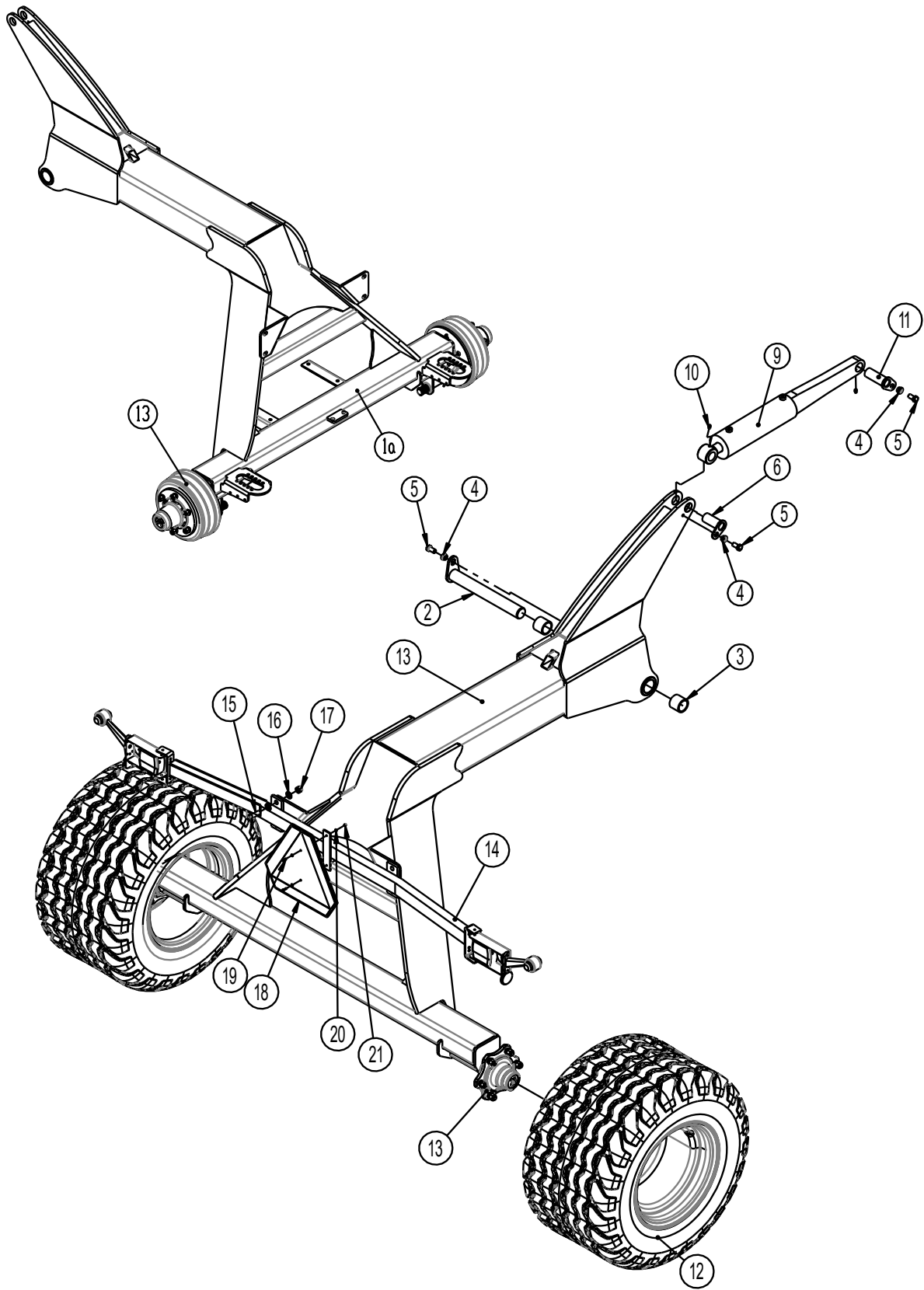
Drawbar (Trailed model)



Pos.	Item no.	Designation	Pr. machine
1	1300138	Drawbar	1
2	0463302	Cylinder 100/40x280 Ø35/Ø32	1
2a	0463372	Gasket set 100/40	
2b	7345041	Cylinder "In-Line system" 100/40 x 280/50	1
3	7345006	Lower part for hydr. Hose bracket	1
4	7345003	Guard for hydr. hose	1
4a	7345019	Hydr. Hose bracket, complete with bolts	
5	690200664	Distance clips 6,2mm, blue	2
5	690200665	Distance clips 9,4mm, red	2
5	690200666	Distance clips 18,8mm, yellow	2
5	690200667	Distance clips 31,6mm, black	1
5	690200668	Distance clips 50,8mm, silver	2
6	0432510	Lubricating nippel M8	4
7	69435170G	Pin Ø35 L=170	1
8	690101101	Bolt M12x25 8.8 w/glue	1
9	630532600	Lock bush	1
10	0235360	Steel set screw M12x40 8.8	2
11	0272270	Facet plate Ø12	4
12	0264070	Self-locking nut M12 DIN985	2
13	0246060	Carrier bolt M6x16 DIN603	4
14	0272240	Facet plate Ø6	4
15	0264040	Self-locking nut M6 DIN985	4
16	630757017	Towing eye Ø50 complete, pivoting	1
17	690103069	Bolt M20x80 10.9	6
18	0272310	Facet plate Ø20	12
19	0264110	Self-locking nut M20 DIN985	6
20	6301950	Drawbar extension 300 mm (extra equipment)	
21	1285146	Supporting leg	1
22	69525155B	Pin Ø25 L=155 w/handle and hole for ring pin	1
23	0377600	Clip Ø6 DIN 11024	1
24	0236500	Bolt M24x190 8.8	1
25	0272330	Facet plate Ø24 FZB	2
26	0264130	Self locking nutM24	1
27	7297691	Bracket for pneumatic brakes components (only machines with pneumatic brakes)	1



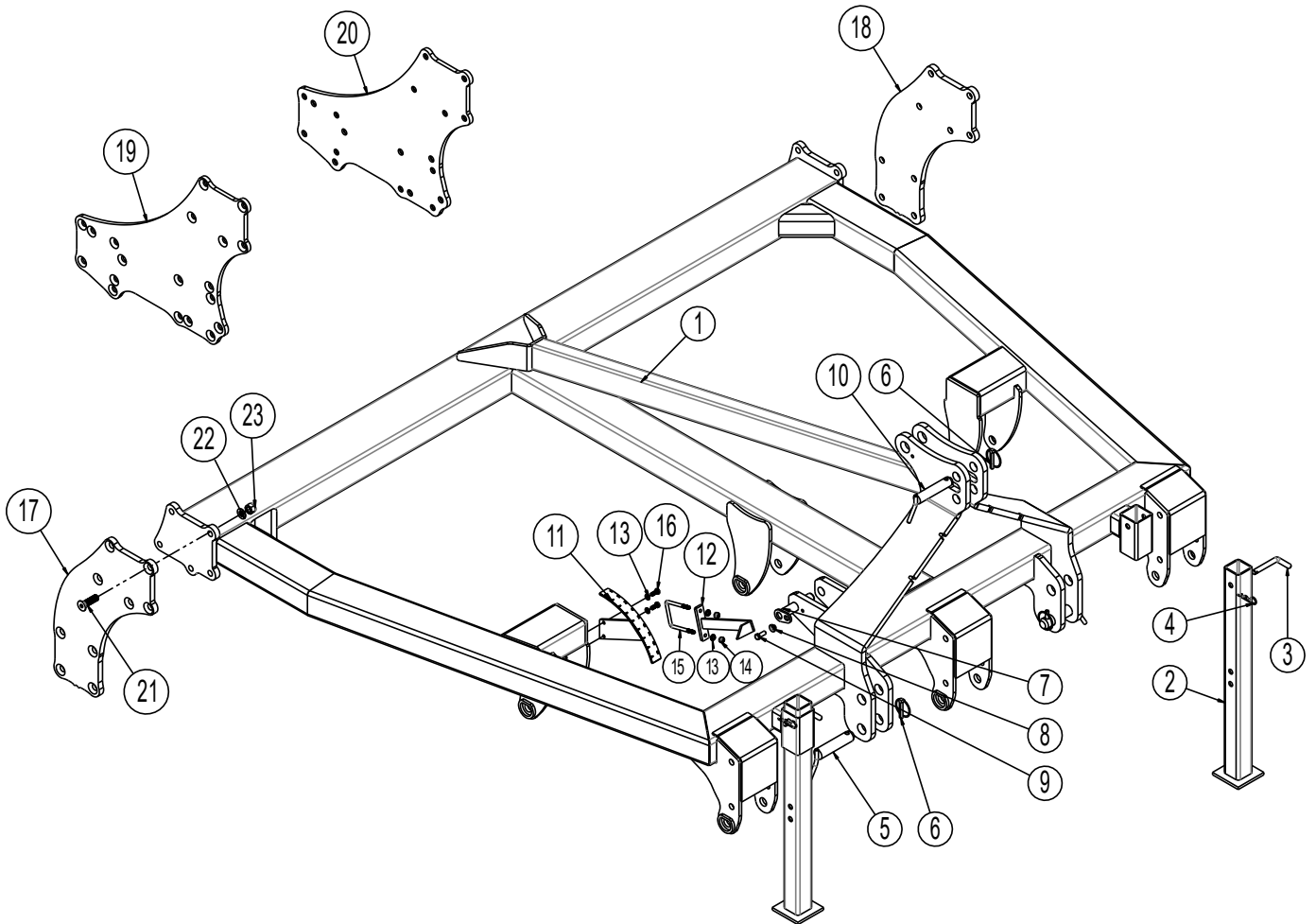
Wheel frame (Trailed model)



Pos.	Item no.	Designation	Pr. machine
1	1300454	Wheel frame Disc-Roller XL Contour single roller	1
1	1141258	Wheel frame Ø40,5 pin, for double roller	1
1a	1300495	Wheel frame with brakes, Disc-Roller XL Contour single roller	1
1a	1141262	Wheel frame with brakes, Ø40,5 pin, for double roller	1
2	69450400G	Pin Ø50 L=400 welded pinhead	1
3	0475400	I-Press bushing EG ø60/50x50mm	2
4	630532700	Lock bush for pin head ø12,50mm	1
5	690103198	Bolt M16x30 8.8	1
6	69440090G	Pin Ø40 L=90	1
7	630532600	Lock bush for pin head	2
8	690101101	Bolt M12x25 m/lim	2
9	7345119	Cylinder 100/40x285 Ø40,5/Ø40,25	1
9a	690200296	Gasket set 100/40 (Laizhou)	
10	0432510	Lubricating nipple M8	2
11	69440110G	Pin Ø40 L=110	1
12	0396330	Wheel 400/60x15.5 – 16 ply Right	1
12	0396340	Wheel 400/60x15.5 – 16 ply Left	1
12	690141360	Wheel 500/50x17,0 – 18 PLY Right complete (ekstra equipment)	1
12	690141362	Wheel 500/50x17,0 – 18 PLY Left complete (ekstra equipment)	1
13	0395442	Hub 2500 kg	2
13a	0395437	Hub cap w/thread Partap 88x3	2
13b	0396470	Hub nut M18 x 1.5	12
13c	0396460	Hub bolt M18 x 1.5 L=49mm	12
13	7297579	Hub w/brake 3350 kg TVZ	2
13a	690141034	Hub cap Ø90	2
13b	0396470	Hub nut M18 x 1,5	12
13c	690141042	Hub bolt M18 x 1,5 x 61	12
14	630835015	Lighting bar	1
15	690103197	Bolt M16x50	4
16	0272290	Facet plate Ø16	8
17	0264090	Self-locking nut M16	4
18	0521010	Warning triangle 375/430	1
19	0233860	Bolt M5x20	2
20	0272230	Facet plate Ø5	4
21	0264030	Self-locking nut M5	2



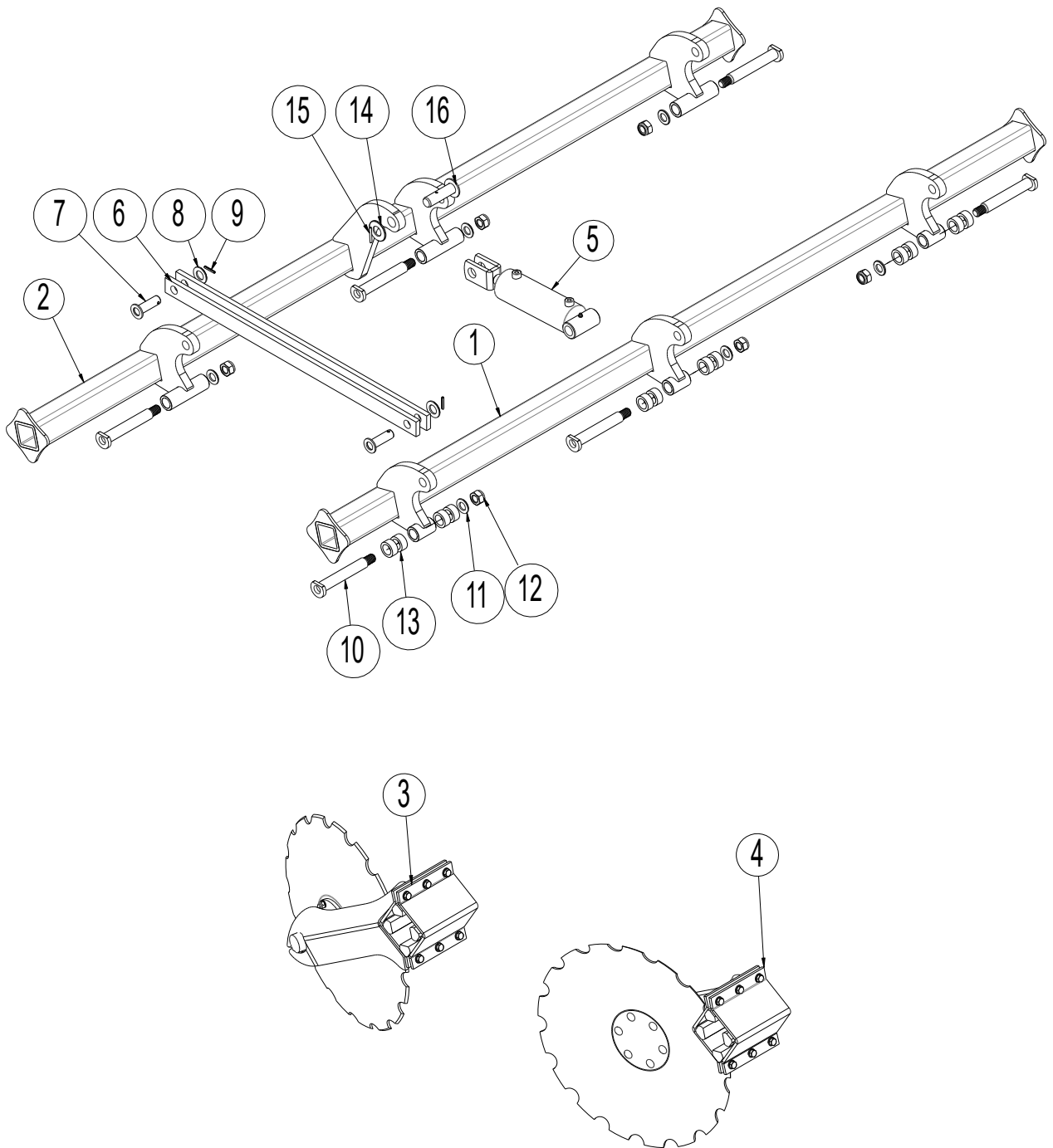
Frame 2,5 - 3,0 - 3,5 - 4,0m



Pos.	Item no.	Designation	2,5m	3,0m	3,5m	4,0m
1	1295411	Frame	1			
1	1295380	Frame		1		
1	1295370	Frame			1	
1	1295390	Frame				1
2	630911070	Støtteben	2	2	2	2
3	1030280	Pin Ø16 L=94 (45°)	2	2	2	2
4	0377400	Clip Ø4	2	2	2	2
5	1140600	Pin w/handle Ø37 L = 129	2	2	2	2
6	690134008	Ring pin Ø11,5 Ø60 ring	3	3	3	3
7	69430145G	Pin Ø30 L=145	1	1	1	1
8	630532600	Lock bush	1	1	1	1
9	690101101	Bolt M12x25 w/glue	1	1	1	1
10	69532129B	Pin w/handle Ø32 L = 129	1	1	1	1
11	630933260	Scale f/ depth control on Disc-Roller	1	1	1	1
11a	698500018	Transfer 1-9	1	1	1	1
12	1295391	Indicator for disc-section	1	1	1	1
13	0272260	Facet plate Ø10 DIN125B	4	4	4	4
14	0264060	Self-locking nut M10 DIN985	2	2	2	2
15	7330083	U-bolt M10x80x80x80	1	1	1	1
16	0235040	Steel set screw M10x25 fzb 8.8	2	2	2	2
17	1295486	End plate for single roller, Ø600 (R)	1	1	1	1
17	1295493	End plate for single roller, Ø700 (R)	1	1	1	1
18	1295488	End plate for single roller, Ø600 (L)	1	1	1	1
18	1295492	End plate for single roller, Ø700 (L)	1	1	1	1
19	1295217	End plate twin-roller Ø600/Ø600mm (L)	1	1	1	1
19	1295139	End plate twin-roller Ø700/Ø700mm (L)	1	1	1	1
20	1295216	End plate twin-roller Ø600/Ø600mm (R)	1	1	1	1
20	1295138	End plate twin-roller Ø700/Ø700mm (R)	1	1	1	1
21	0229250	Insex-bolt M20x70 8.8 UH DIN 7991	10	10	10	10
22	0272310	Facet plate Ø20	10	10	10	10
23	0264110	Self-locking nut M20	10	10	10	10

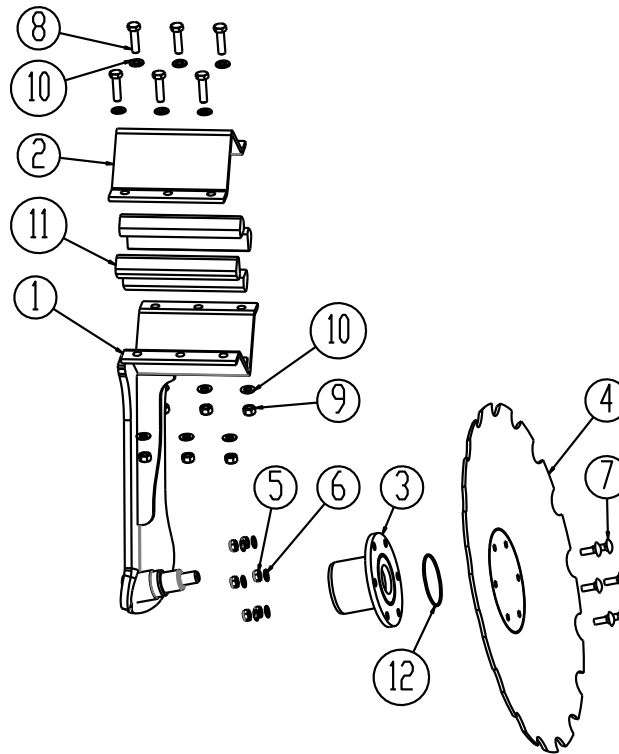


Disc bars



Pos.	Item no.	Designation	2,5m	3,0m	3,5m	4,0m
1	1295408	Disc bar, front	1			
2	1295410	Disc bar, rear	1			
1	1295399	Disc bar, front		1		
2	1295401	Disc bar, rear		1		
1	1295402	Disc bar, front			1	
2	1295404	Disc bar, rear			1	
1	1295405	Disc bar, front				1
2	1295407	Disc bar, rear				1
3	631700004	Complete disc, left (see next page)	9	11	13	15
4	631700020	Complete disc, right (see next page)	9	11	13	15
5	690200620	Cylinder 80/30x155mm	1	1	1	1
	690200621	Gasket set 80/30 mm				
6	631700140	Parallel bar for bars between disc bars Disc-Roller XL	6	6	6	6
7	69525080F	Pin Ø25 L = 80	6	6	6	6
8	0272340	Facet plate Ø27	6	6	6	6
9	690130132	Spring pin Ø6x40mm DIN1481	6	6	6	6
10	631700133	Pin Ø30 L=210 f. horn	6	6	6	6
11	0272330	Facet plate Ø24 DIN125B	6	6	6	6
12	0264130	Selt-Locking nut M24 fzb DIN985	6	6	6	6
13	630949078	Bush f/arm (loose, ø31, l=20)	12	12	12	12
14	0272350	Facet plate Ø30 fzb	1	1	1	1
15	690130134	Spring pin Ø6x50	1	1	1	1
16	69530060F	Pin L = 60 mm.	1	1	1	1

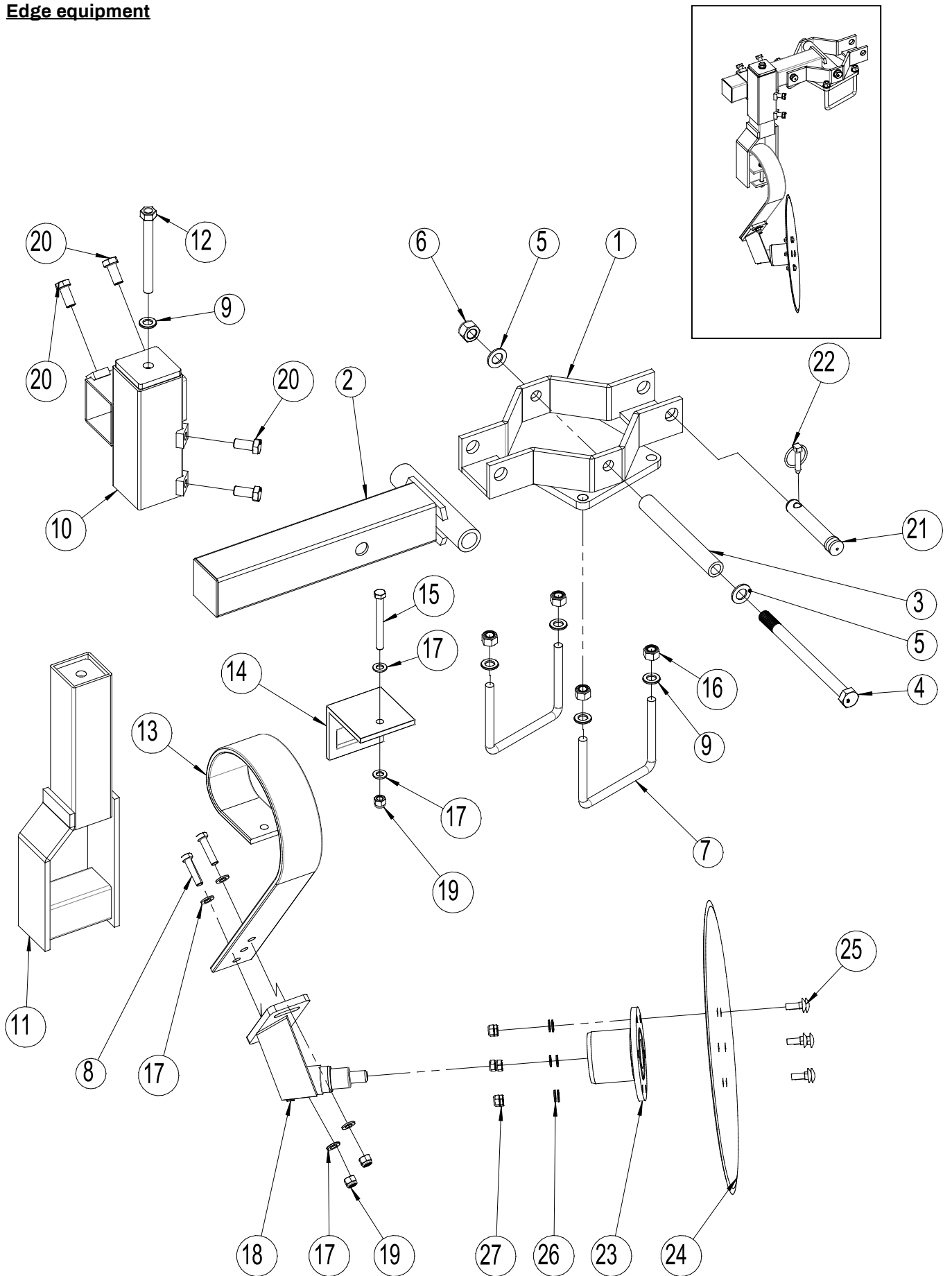


Disc**Complete disc****631700004 + 631700020**

Pos.	Item no.	Designation	Quantity
1	631700004	Disc Left, Disc-Roller XL Contour	1
1	631700020	Disc Right, Disc-Roller XL Contour	1
2	631700005	Clamping plate for carrier arm Disc-Roller XL	1
3	630949032	Assembled hub	1
4	631700003	Sabre disc, Serrated Ø608 x 6,0 mm,	1
5	0264060	Self locking nut M10 fzb DIN985	6
6	0272260	Facet plate Ø10 fzb DIN125B	6
7	0248421	Carrier bolt M10x30 8.8	6
8	690103091	Bolt M12x45 10.9	6
9	690113013	Self-locking nut M12 (all-metal)	6
10	0272270	Facet plate Ø12 fzb DIN125B	12
11	690210711	Rubber cord, Shore 78, Ø40 L= 210 mm	4
12	0483738	O-ring ø 84,50 x 3,0mm	1



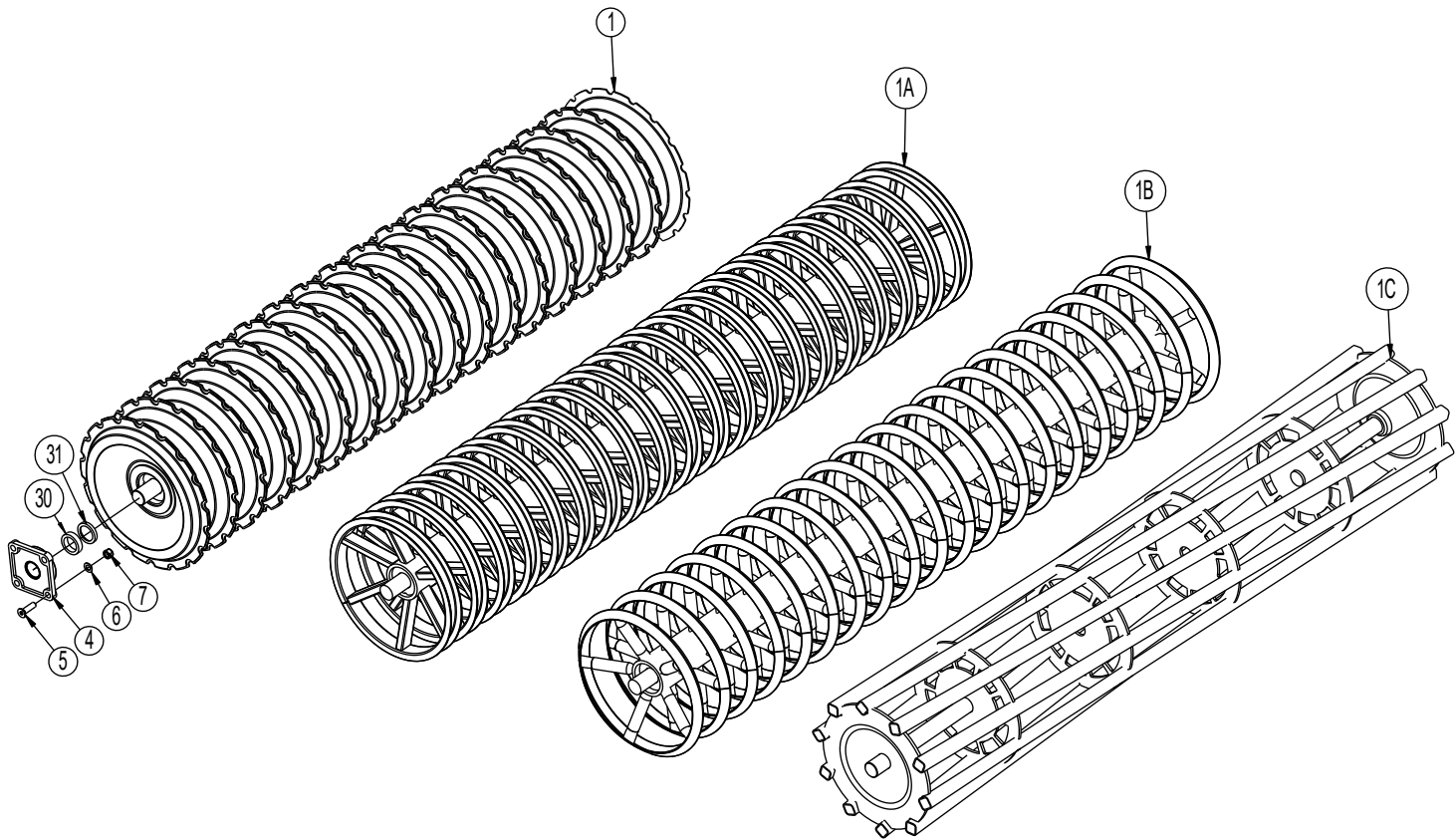
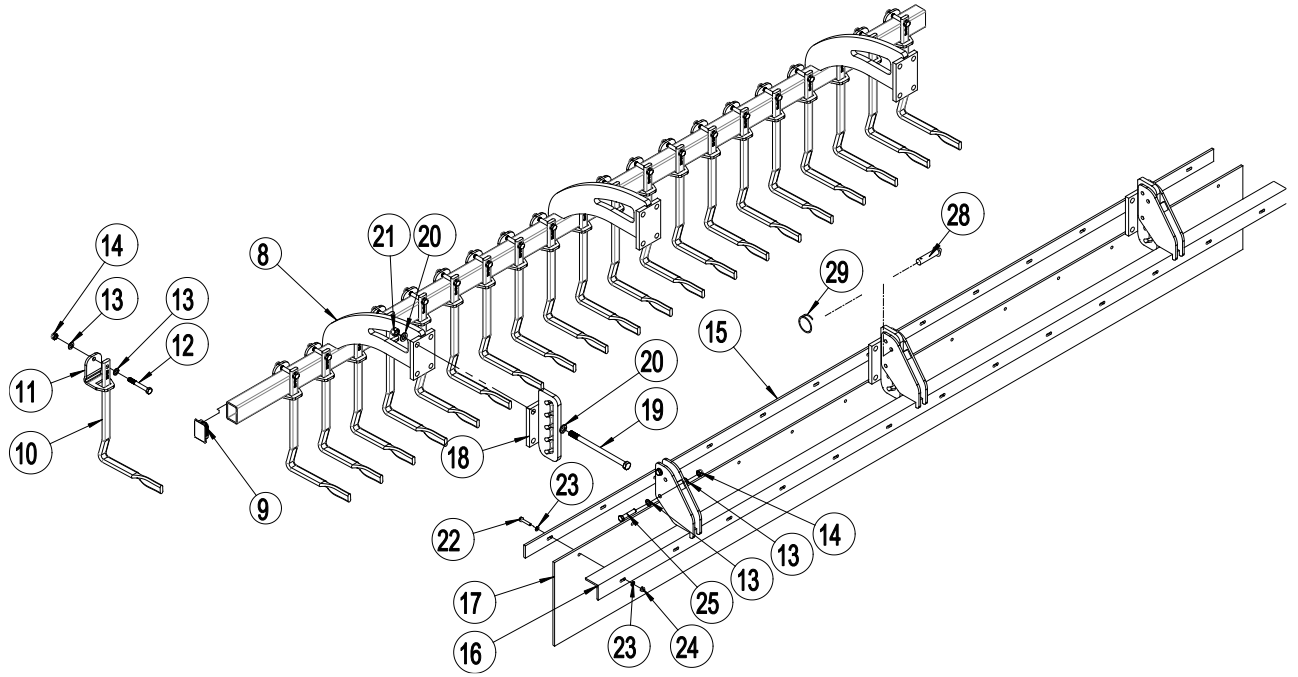
Edge equipment



Pos.	Item no.	Designation	Quantity
	630943094	Complete edge equipment with 508 mm disc	1
1	630943088	Mounted holder	1
2	630943090	Mounted link	1
3	630943095	BK-tube 30x5 L= 233	1
4	0236315	Bolt M20x280 8.8	1
5	0272310	Facet plate Ø20	2
6	0264110	Self-locking nut M20	1
7	0382800	U-bolt M16x100x150x100	2
8	0235380	Bolt M12x50 8.8	2
9	0272290	Facet plate Ø16	5
10	630943099	Spindel bracket	1
11	630943102	Tine holder spindle complete	1
12	630943109	Adjustment bolt	1
13	0422145	Spring-Board tine 80x10mm-long	1
14	633052200	Clamp f/tine	1
15	690103098	Bolt M12x110 10.9	1
16	0264090	Self-locking M16	4
17	0272270	Facet plate Ø12	6
18	630943080	Bracket	1
19	0264070	Self-locking nut M12	3
20	690103124	Bolt M16x35 8.8 set bolt	4
21	69525107J	Pin ø28 L=107	1
22	695134004	Ring pin Ø10	1
23	630949035	Hub	1
24	690153509	Disc, plain, ø508x4,0mm	1
25	0248421	Carrier bolt M10x30 8.8	6
26	0272260	Facet plate Ø10	6
27	0264060	Self-locking nut M10	6



Single V-Profile roller – scraper – material damper guard– U-Profile roller

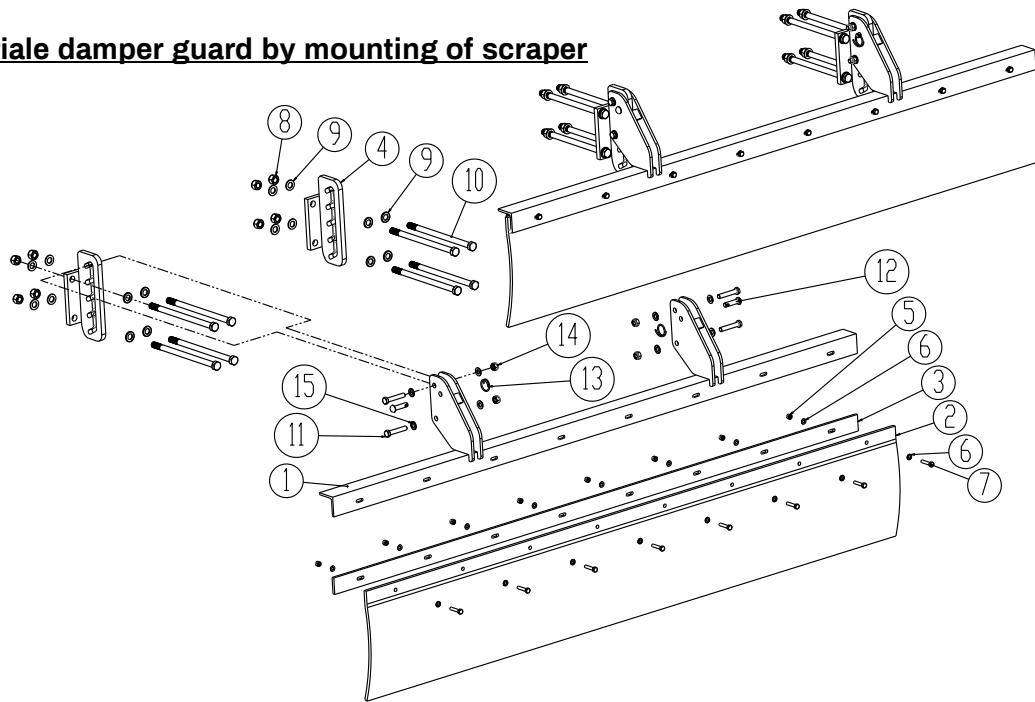


Pos.	Item no.	Designation	2,5m	3,0m	3,5m	4,0m
1	1160468	Single V-profile roller Ø600 L=2435	1			
1	1160470	Single V-profile roller Ø600 L=2935		1		
1	1160480	Single V-profile roller Ø600 L=3435			1	
1	1160481	Single V-profile roller Ø600 L=3935				1
1	7451234	Single V-profile roller Ø700 L=2435	1			
1	7451018	Single V-profile roller Ø700 L=2935		1		
1	7451049	Single V-profile roller Ø700 L=3435			1	
1	7451051	Single V-profile roller Ø700 L=3935				1
1A	7452028	Single U-profile roller Ø600 L=2425	1			
1A	7450029	Single U-profile roller Ø600 L=2935		1		
1A	7450048	Single U-profile roller Ø600 L=3435			1	
1A	7450050	Single U-profile roller Ø600 L=3935				1
1B	7453017	Wave roller L=2435	1			
1B	7453007	Wave roller L=2935		1		
1B	7453012	Wave roller L=3435			1	
1B	7453018	Wave roller L=3935				1
1C	1048210	Square tube roller Ø550mm L=2415	1			
1C	1048240	Square tube roller Ø550 L=2912		1		
1C	1048280	Square tube roller Ø550 L=3435			1	
1C	1048330	Square tube roller Ø550 L=3945				1
2	7451210	Twin V-Profile roller Ø600 L=2423	2			
2	7451078	Twin V-Profile roller Ø600 L=2935		2		
2	7451061	Twin V-Profile roller Ø600 L=3435			2	
2	7451254	Twin V-Profile roller Ø600 L=3935				2
2	7451064	Twin V-Profile roller Ø700 L=2423	2			
2	7451242	Twin V-Profile roller Ø700 L=2935		2		
2	7451249	Twin V-Profile roller Ø700 L=3435			2	
2	7451253	Twin V-Profile roller Ø700 L=3935				2
3	7452031	Twin U-Profile roller Ø600 L=2425	2			
3	7450064	Twin U-Profile roller Ø600 L=2935		2		
3	7450041	Twin U-Profile roller Ø600 L=3435			2	
3	7450069	Twin U-Profile roller Ø600 L=3935				2
4	0478972	Bearing HCF 312, 4 holes flange bearing w/eccentric lock washer, cast steel housing	4 (8)	4 (8)	4 (8)	4 (8)
5	0229250	Hexagon screw M20x70 8.8 UH DIN7991	16 (32)	16 (32)	16 (32)	16 (32)
6	0272310	Facet plate Ø20	16 (32)	16 (32)	16 (32)	16 (32)
7	0264110	Self locking nut M20	16 (32)	16 (32)	16 (32)	16 (32)
8	1295658	Scraper bar for Ø600 roller	1			
8	1295490	Scraper bar for Ø600 roller		1		
8	1295652	Scraper bar for Ø600 roller			1	
8	1295663	Scraper bar for Ø600 roller (L)				1



Pos.	Item no.	Designation	2,5m	3,0m	3,5m	4,0m
8	1295662	Scraper bar for Ø600 roller (R)				1
8	1295661	Scraper bar for Ø700 roller	1			
8	1295496	Scraper bar for Ø700 roller		1		
8	1295652	Scraper bar for Ø700 roller			1	
8	1295667	Scraper bar for Ø700 roller (L)				1
8	1295669	Scraper bar for Ø700 roller (R)				1
9	0489487	Plastic plug f/profile tube 70x50x2, black	2	2	2	2
10	630938520	Scraper short – twisted 255 mm Ø600 roller	16	20	23	26
10	630938521	Scraper long – twisted 320 mm Ø700 roller	16	20	23	26
11	630938522	Clamp 50x70 f/scraper	16	20	23	26
12	0235450	Steelbolt M12x90mm 8.8	16	20	23	26
13	0272270	Facet plate Ø12	32	40	46	52
14	0264070	Self-locking nut M12	16	20	23	26
15	1295462	Clamping plate L= 2415	1			
15	1295469	Clamping plate L= 2915		1		
15	1295471	Clamping plate L= 3415			1	
15	1295458	Clamping plate L= 1965				2
16	1295460	Mounting bar f/material damper guard	1			
16	1295467	Mounting bar f/material damper guard		1		
16	1295470	Mounting bar f/material damper guard			1	
16	1300304	Mounting bar f/material damper guard				2
17	1295459	Rubber mat L= 2435 mm	1			
17	1295466	Rubber mat L= 2935 mm		1		
17	1295472	Rubber mat L= 3435 mm			1	
17	1295457	Rubber mat L= 1965 mm				2
18	630938545	Suspension f/material-damper guard	2	2	2	4
19	690103295	Bolt M16x260 8.8	8	8	8	16
20	0272290	Facet plate Ø16	16	16	16	32
21	0264090	Self-locking nut M16	8	8	8	16
22	0234790	Bolt M8x40 8.8	10	12	14	16
23	0272250	Facet plate Ø8	20	24	28	32
24	0264050	Self-locking nut M8	10	12	14	16
25	0235400	Bolt M12x60 8,8	4	4	4	8
26	0382800	U-bolt M16x100x150x100	4	4	4	8
27	0264090	Self locking nut M16	8	8	8	16
28	69512040K	Pin Ø12,5 L=40	2	2	2	4
29	0431975	Security ring 30xø3	2	2	2	4
30	690600020	Bush Ø60 L=20	2 (4)	2 (4)	2 (4)	2 (4)
31	7330021	Thrust washer, customized welding, Ø82,5xø61 L= 12	2 (4)	2 (4)	2 (4)	2 (4)



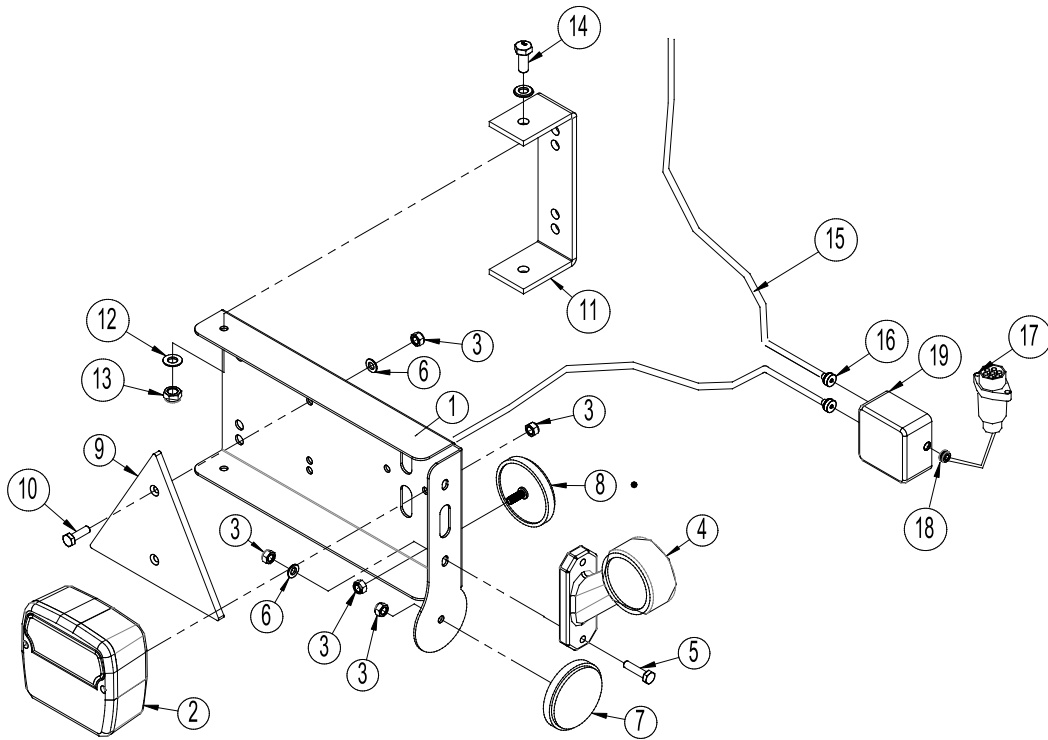
Material damper guard by mounting of scraper

Pos.	Item no.	Designation	2,5m	3,0m	3,5m	4,0m
1	1295460	Mounting bar f/material damper guard	1			
1	1295467	Mounting bar f/material damper guard		1		
1	1295470	Mounting bar f/material damper guard			1	
1	1300304	Mounting bar f/material damper guard				2
2	1295459	Rubber mat 340x10 L= 2435	1			
2	1295466	Rubber mat 340x10 L= 2935		1		
2	1295472	Rubber mat 340x10 L= 3435			1	
2	1295457	Rubber mat 340x10 L= 1965				2
3	1295462	Clamping plate	1			
3	1295469	Clamping plate		1		
3	1295471	Clamping plate			1	
3	1295458	Clamping plate				2
4	630938545	Suspension f/ material damper guard	2	2	2	4
5	0264050	Self-locking nut M8 fzb DIN 985	10	12	14	16
6	0272250	Facet plate Ø8 fzb	20	24	28	32
7	0234790	Bolt M8 8.8 fzb	10	12	14	16
8	0264090	Self-locking nut M16 fzb DIN 985	8	8	8	16
9	0272290	Facet plate Ø16 fzb	16	16	16	32
10	0236040	Bolt M16x280 8.8 fzb <i>Bolted together with the scraper-bar for single roller. For Twin rollers, U-bolts No. 690110106 are used instead — respectively 4 and 8 pcs..</i>	8	8	8	16
11	0235410	Bolt M12x65 8.8 fzb	4	4	4	8
12	695412040K	Pin Ø12,5 L= 40 St. 52	2	2	2	4
13	0431975	Ring pin EN 10270-1	2	2	2	4
14	0264070	Self-locking nut M12 fzb	4	4	4	8
15	0272270	Facet plate Ø12 fzb DIN 125B	8	8	8	16

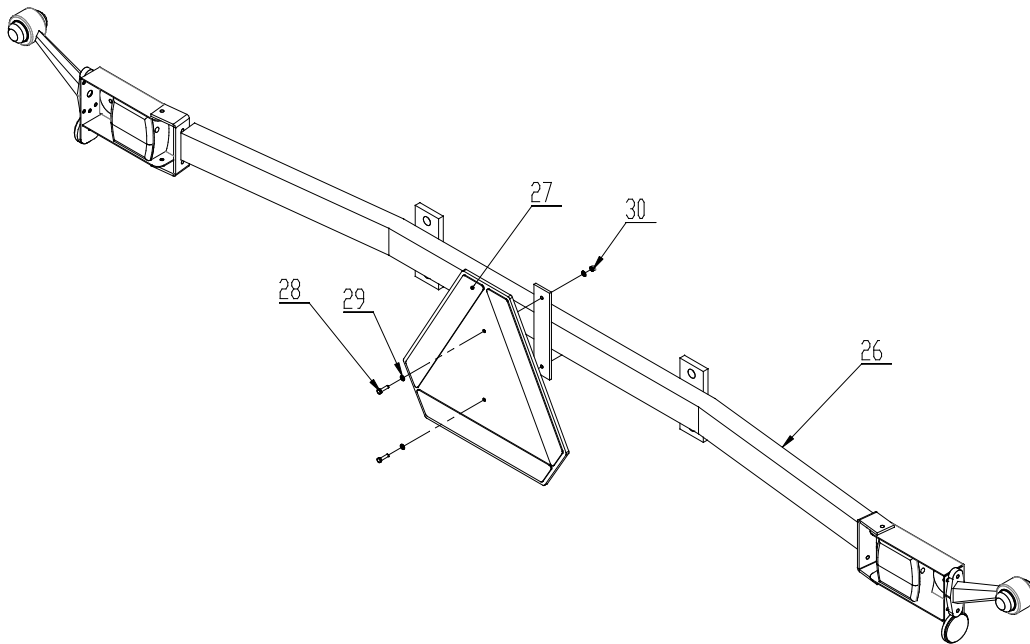


Lights

Three point mounted machine



Trailed machine



Pos.	Item no.	Designation (Three point mounted model)	Qty.
1	7357505	Lightbox (L)	1
	7357508	Lightbox (R)	1
2	7357504	Rear light	2
3	0264030	Self-locking nut M5	16
4	7357507	Marking lights (L)	1
	7357509	Marking lights (R)	1
5	0234340	Bolt M5x25	4
6	0272240	Facet plate Ø5	8
7	0656240	Reflex, yellow	2
8	0656250	Reflex, white	2
9	0521030	Reflex, red	2
10	0233860	Bolt M5x20	4
11	7357516	Bracket	2
12	0234330	Facet plate Ø6	16
13	0264040	Self-locking nut M6	8
14	0234330	Bolt M6x20	4
15	690160080	Cable 5 x 1mm ² (Inform about lenght by ordering sparepart)	
16	7357545	Rutaseal nippel M20 8-12mm Grey RAL7001	2
17	690160070	Plug 7 poles DIN 72 577 – ISO 1724	1
18	7357546	Rubberbushing Nr. 38A Ø10/3 black	1
19	0520492	Junction box 105x105x60	1
Pos.	Item no.	Designation (Trailed model)	Qty.
26	630835015	Lighting bar	1
27	0521010	Warning triangle (Country-specific)	1
28	0233860	Bolt M5 x 20	1
29	0272230	Facet plate Ø5	2
30	0264030	Self-locking nut M5	4

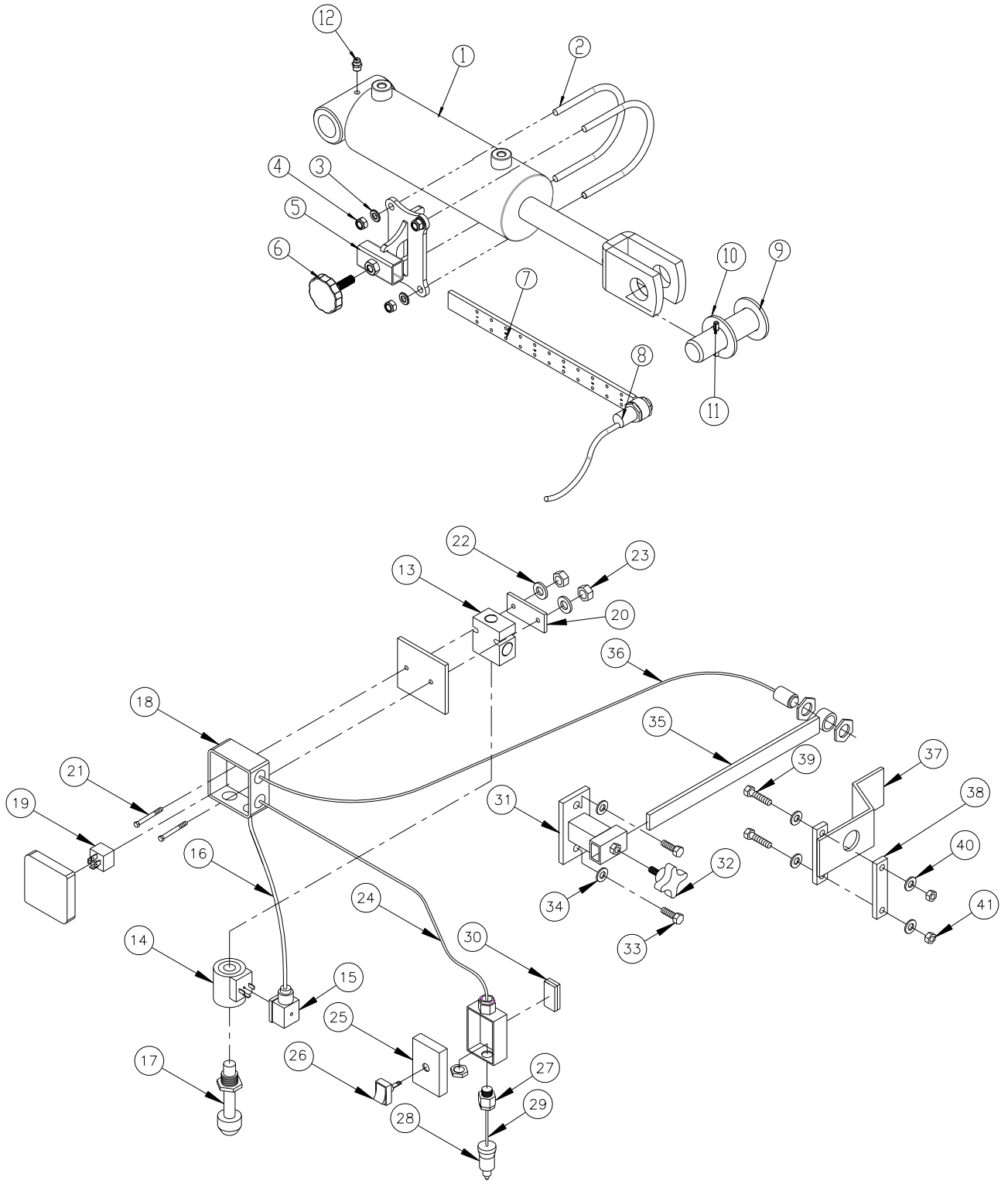
Note:

Check number and measurements of all cables before ordering the spare parts.



Extra equipment

El-depth stop for disc

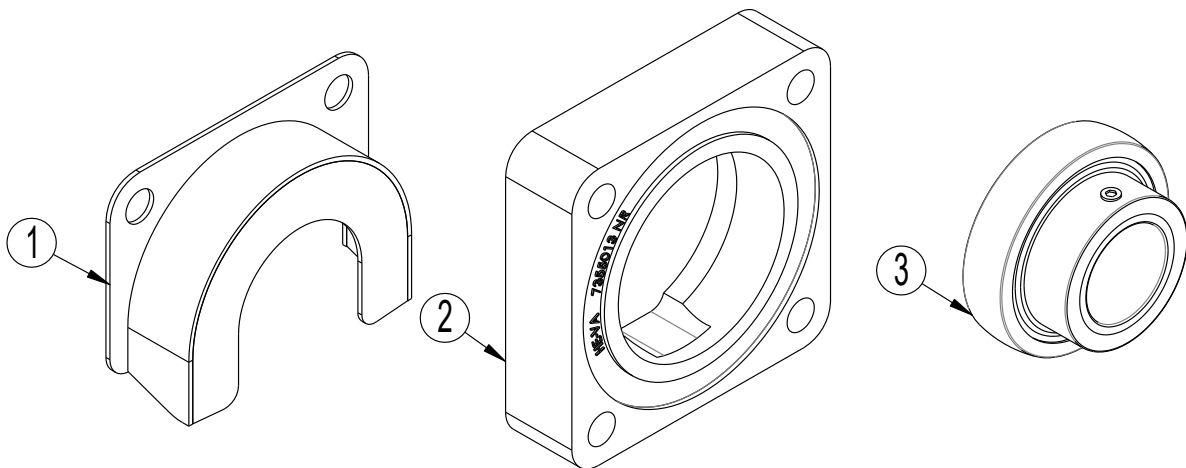


Pos.	Item no.	Designation	2,5 m	3,0 m	3,5 m	4,0 m
1	690200620	Cylinder 80/30x155mm fork/ø30	1	1	1	1
1a	690200621	Gasket set 80/30	1	1	1	1
2	690110001	U-bolt M8 Ø92	2	2	2	2
3	0272250	Facet plate Ø8	4	4	4	4
4	0264050	Self-locking nut M8	2	2	2	2
5	1300085	Bracket f/scale/inductive sensor	1	1	1	1
6	0489103	Thumbscrew M10 x 30 - Plastic head ø50mm	1	1	1	1
7	1115480	Scale	1	1	1	1
8	0442768	Inductive sensor M18 (incl. cabel)	1	1	1	1
9	69530056F	Pin Ø30 L=56	1	1	1	1
10	0272350	Facet plate Ø30	2	2	2	2
11	0371540	Spring pin ø6x50mm, fzb DIN1481	4	4	4	4
12	0432510	Lubricating nipple, straight H1 M8x1,25	1	1	1	1
13	0442763	Valve block 4B 10/2 1/2"	1	1	1	1
14	0442764	Solenoid coil 12VDC 20W	1	1	1	1
15	690209030	Plug f/solenoid valve DIN 43650	1	1	1	1
16	0525060	Cable 2x0,75 mm ² L = 0,32m	1	1	1	1
17	0442762	Valve 10 NO (57 ltr)	1	1	1	1
18	0520490	Connection box 80x80x50 (white)	1	1	1	1
19	0527120	Relay 12V/30A	1	1	1	1
20	630941061	Clamping plate f/valve block	1	1	1	1
21	0234400	Bolt M6x60	2	2	2	2
22	0272240	Facet plate Ø6	2	2	2	2
23	0264040	Self-locking nut M6	2	2	2	2
24	0525060	Cabel 2x0,75 mm ² L = 4,5m	1	1	1	1
25	690209486	Connection box 72x50x41 (white)	1	1	1	1
26	690209480	Switch 0-1 (red) Ø12 hole mounting	1	1	1	1
27	690209475	Connector PG11 w/nut	2	2	2	2
28	0442766	Plug 2 poles +/- 12V	1	1	1	1
29	690209440	Cable 2x0,75 mm ² L = 1,0m	1	1	1	1
30	690210720	Velcro band L=65 mm	1	1	1	1
31	630949133	Bracket f/scale/inductive sensor	1	1	1	1
32	0489100	Thumbscrew M8x20	1	1	1	1



Pos.	Item no.	Designation	2,5 m	3,0 m	3,5 m	4,0 m
33	0234780	Bolt M8x25	2	2	2	2
34	0270050	Facet plate Ø8	2	2	2	2
35	690209435	Scale f/inductive sensor on el-depth stop	1	1	1	1
36	690209445	Inductive sensor with 1,8m cable	1	1	1	1
37	630939131	Sensor activator f/ inductive sensor	1	1	1	1
38	630939133	Clamping plate f/ sensor activator	1	1	1	1
39	690103057	Bolt M8x50	2	2	2	2
40	0270050	Facet plate Ø8	4	4	4	4
41	0264050	Self-locking nut M8	2	2	2	2

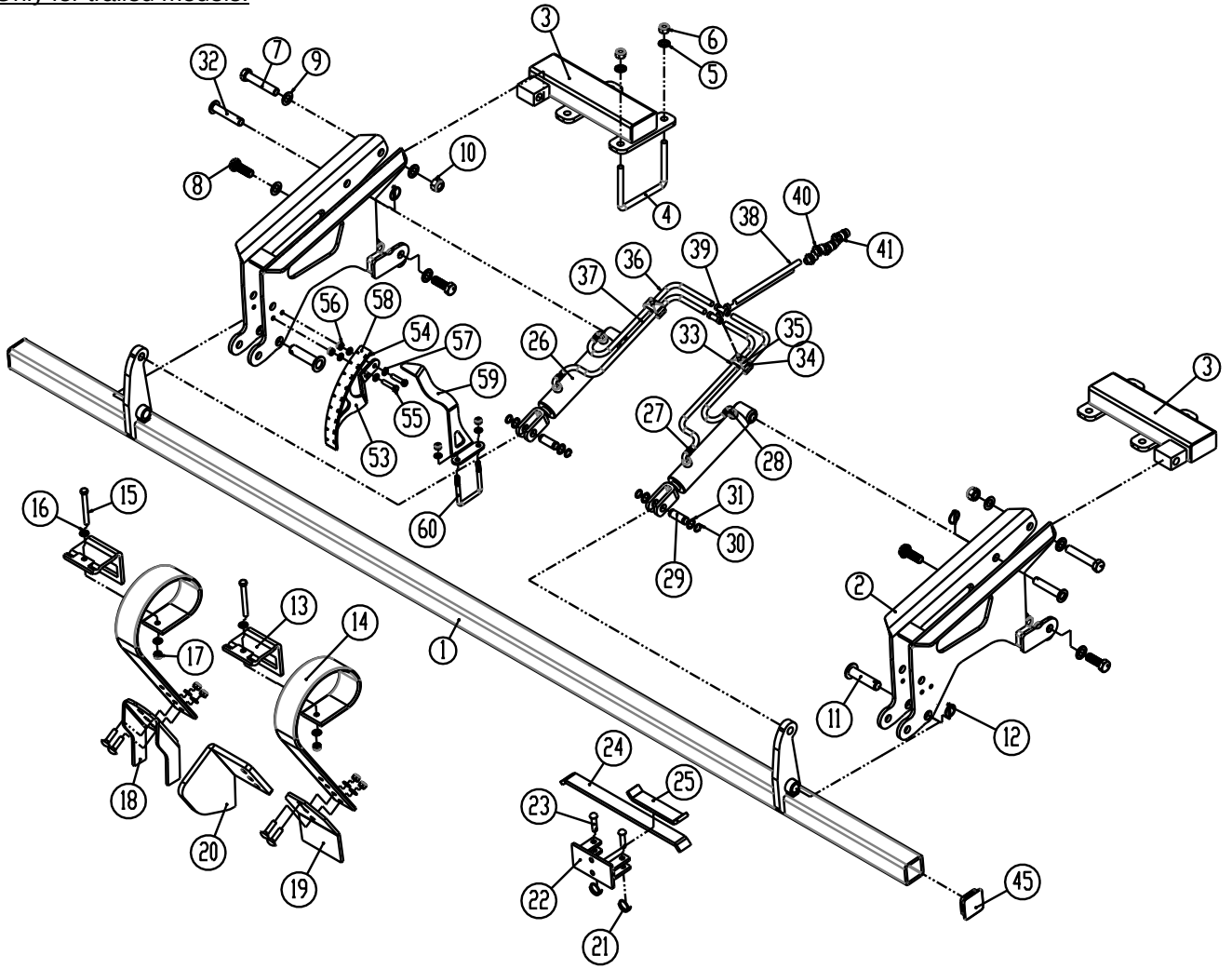
Rubber-damped bearings and protective guard for standard bearing



Pos.	Item no.	Designation	Quantity
1	7355054	Protection shield for UCF 312 and HCF 312 (extra equipment, not used on rubber-damped bearings)	2
2	7355034	Rubber damped bearing housing for Ø60 shaft	2
3	690140118	Bearing HC 312 R6 (d=60 D=130 B=33)	2

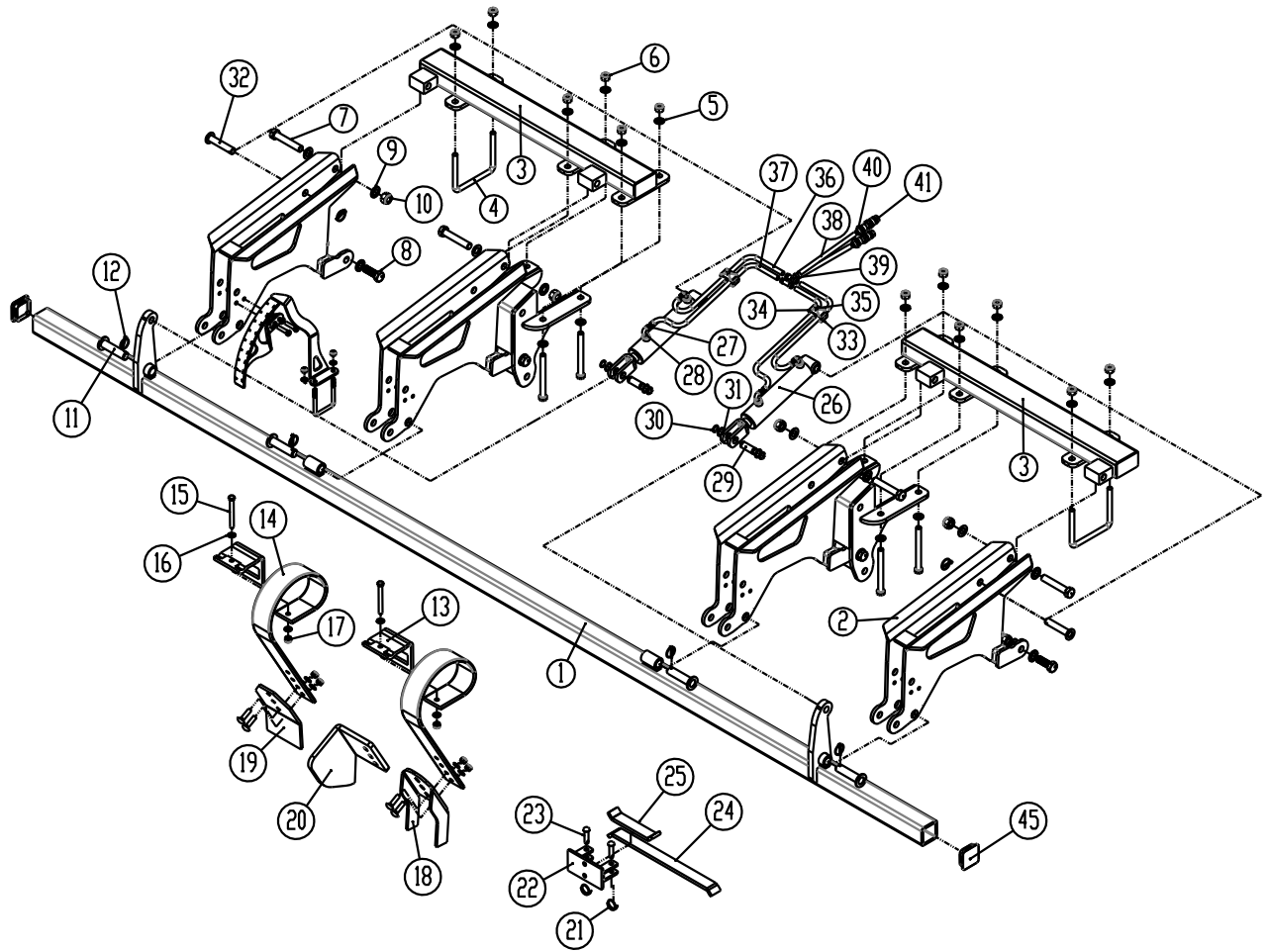
Spring-Board 2,5 m – 3,0 m – 3,5 m

Only for trailed models.



Spring-Board 4,0 m

Only for trailed models



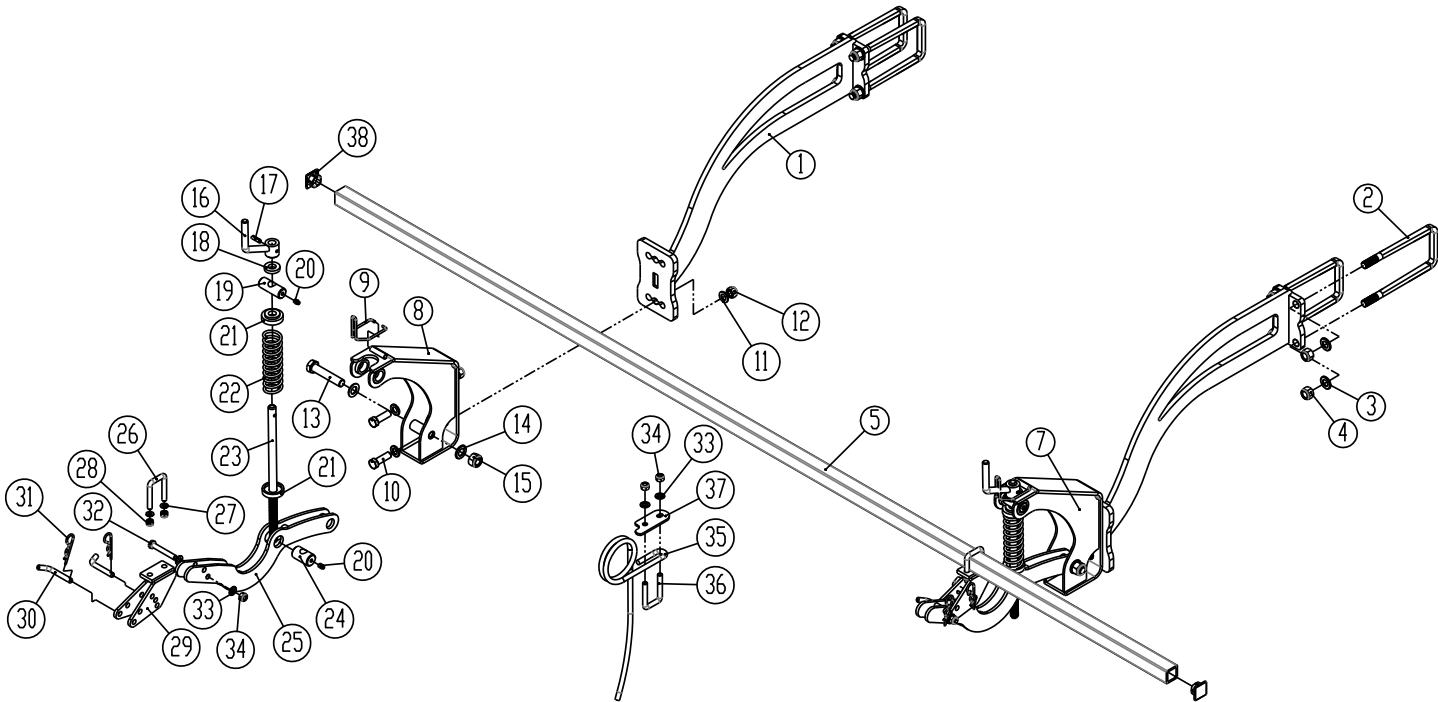
Pos.	Item no.	Designation	2,5 m	3,0 m	3,5 m	4,0 m
1	6301030	Spring-Board bar	1	0	0	0
1	6301130	Spring-Board bar	0	1	0	0
1	6301230	Spring-Board bar	0	0	1	0
1	6301330	Spring-Board bar	0	0	0	1
2	1295313	Spring-Board Horn	2	2	2	4
3	1295812	Mounting bar Spring-Board, right	1	0	0	0
3	1295813	Mounting bar Spring Board, left	1	0	0	0
3	633911000	Mounting bar Spring-Board, right	0	1	1	0
3	633911010	Mounting bar Spring Board, left	0	1	1	0
3	1295860	Mounting bar Spring-Board, right	0	0	0	1
3	1295857	Mounting bar Spring Board, left	0	0	0	1
4	690110103	U-bolt M16x100x150x100	4	4	4	2
5	690117013	Facet plate Ø16	8	8	8	12
6	690113008	Self-locking nut M16	8	8	8	12
7	690103170	Bolt M20x110	2	2	2	4
8	690103178	Bolt M20x55 8,8	4	4	4	8
9	690117005	Facet plate Ø20	8	8	8	16
10	690113009	Self-locking nut M20	4	4	4	8
11	69525087F	Pin Ø25 L=87	2	2	2	4
12	690134001	Ring split Ø4,5	4	4	4	6
13	0422390	Tine bracket f/tine 80x10	10	12	14	16
14	0422145	Tine (10x80)	10	12	14	16
15	0235470	Bolt M12x110 10.9	10	12	14	16
16	0272270	Facet plate Ø12	10	12	14	16
17	0264070	Self-locking nut M12	10	12	14	16
18	633052150	Slicing plates point, incl. bolt	10	12	14	16
19	633052100	Spring-Board tine point flat (8x150) incl. bolts	10	12	14	16
18/19a	0248670	Carrier bolt M12x45mm 8.8 fzb	20	24	28	32
18/19b	0272270	Facet plate Ø12	20	24	28	32
18/19c	0264070	Self-locking nut M12	20	24	28	32
20	633052250	Edge equipment (L)	1	1	1	1
20	633052255	Edge equipment (R)	1	1	1	1



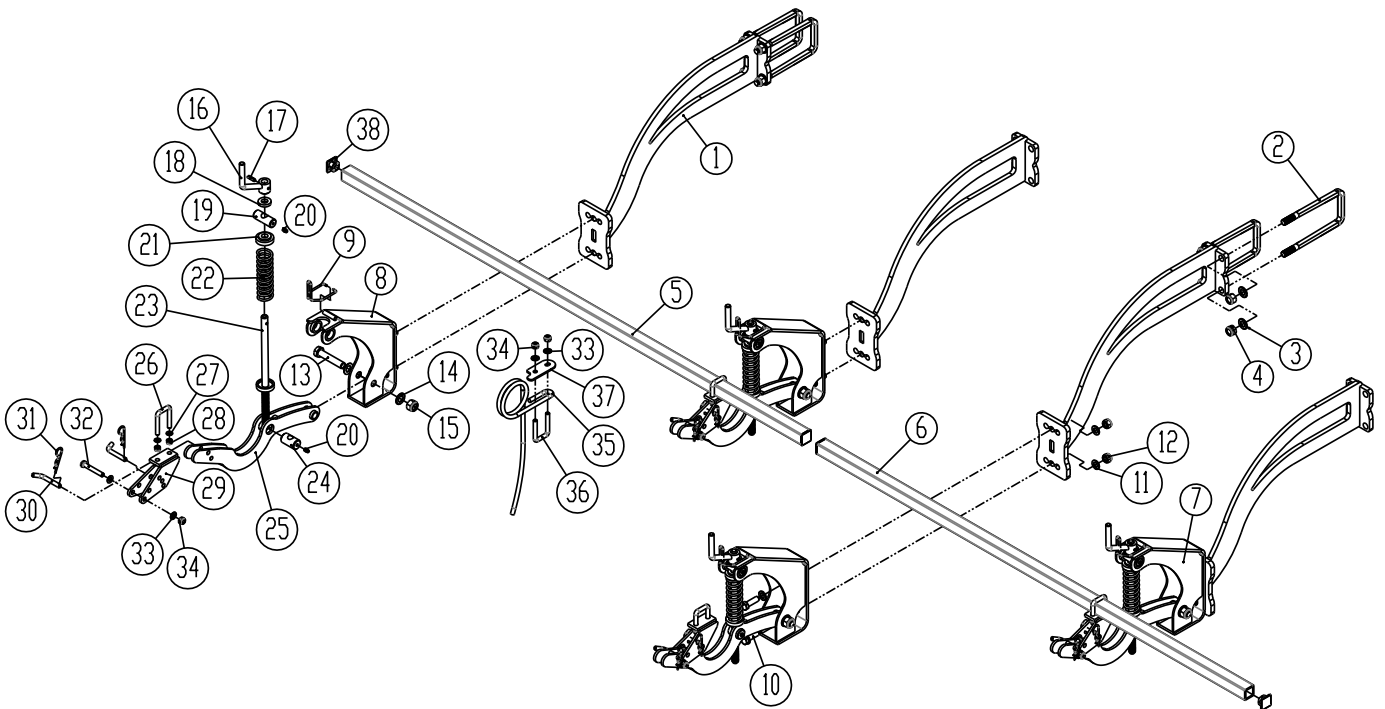
Pos.	Item no.	Designation	2,5 m	3,0 m	3,5 m	4,0 m
20a	0248690	Carrier bolt M12x 60mm (f/edge equipment)	4	4	4	4
21	0431975	Locking ring Ø30x3	20	24	28	32
22	633055500	Tine bracket f/transverse locking system	10	12	14	16
23	69512040K	Pin Ø12,5x40	20	24	28	32
24	633055710	Locking bar (long) f/transverse locking system	9	11	13	15
25	633055700	Locking bar (short) f/transverse locking system	2	2	2	2
26	690200160	Cylinder 50/30x155	2	2	2	2
26a	690200046	Gasket set 50/30				
27	690207901	Restrictor 1 mm	4	4	4	4
28	690203006	Fitting, angle 10-3/8" BSP	4	4	4	4
29	69520046D	Pin Ø20 L=46	2	2	2	2
30	691372020	Seeger circlip ring Ø20 Din 471 out (A2)	4	4	4	4
31	690115010	Washer Ø20/Ø28x1,0	4	4	4	4
32	69520087F	Pin Ø20 L=87	2	2	2	2
33	0449430	Tube-support double Ø14/Ø14 (1pcs)	4	4	4	4
34	690210211	Top plate f/double tube-support	2	2	2	2
35	690103054	Bolt M8x40	2	2	2	2
36	690201053	Hydr. hose 1260 mm ¼" st/st	2	2	2	2
37	690201018	Hydr. hose 1460 mm ¼" st/st	2	2	2	2
38	690201029	Hydr. hose 4300 mm ¼" st/st	2	2	2	2
39	690203015	Fitting T10	2	2	2	2
40	690203003	Fitting, straight 10-½" BSP	2	2	2	2
41	690203001	Quick coupling 1/2" E402, male	2	2	2	2
42	633052000	Spring-Board tine point flat (8x150) incl. bolts	10	12	14	16
43	633052025	Slicing plates point, incl. bolt	10	12	14	16
44	633055510	Tine bracket f/transverse locking system (complete)				



Long finger after-harrow 2,5m – 3,5m (Three-point mounted model)



Long finger after-harrow 4,0m (Three-point mounted model)



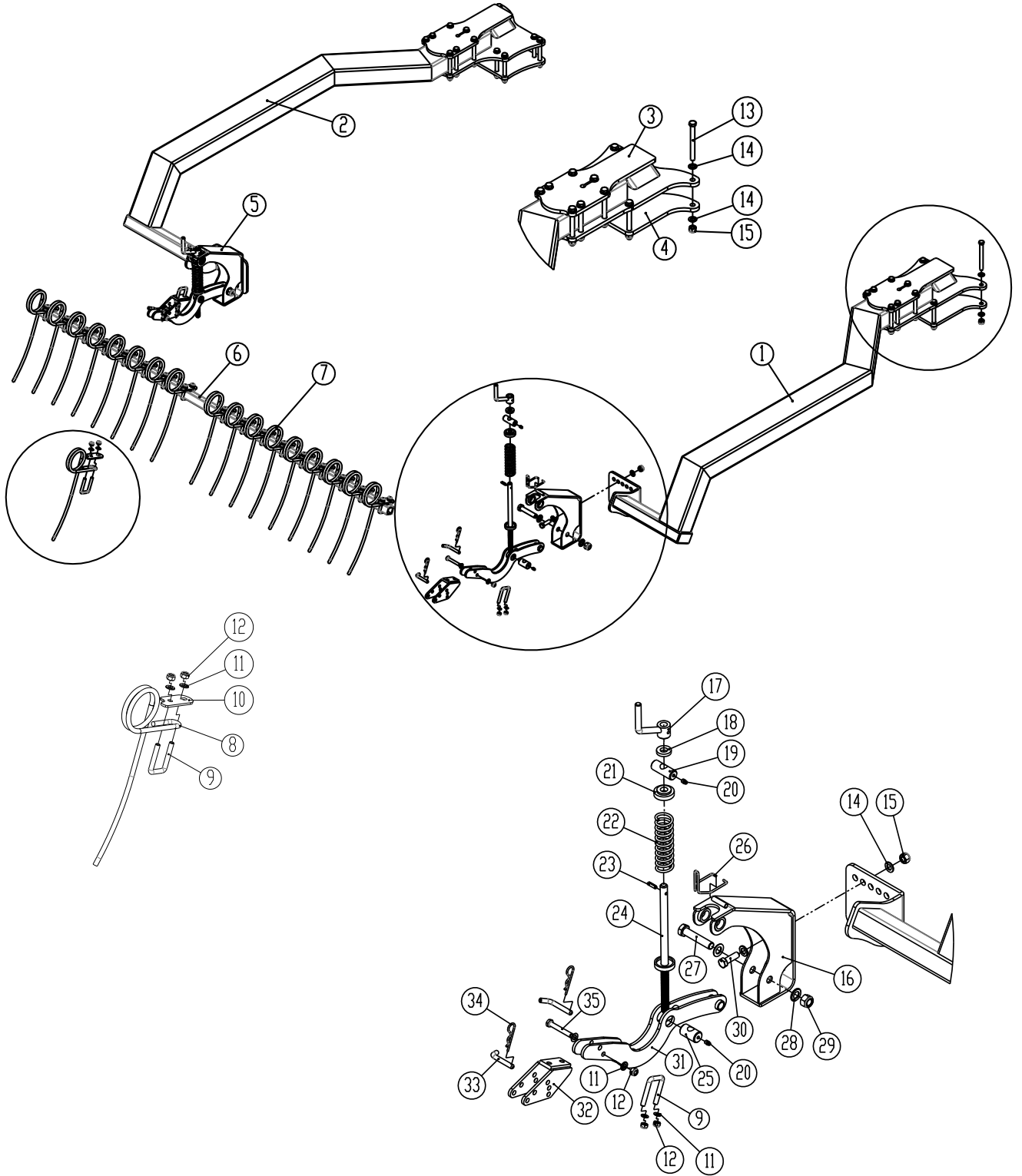
Pos.	Item no.	Designation	2,5m	3,0m	3,5m	4,0m
1	1295872	Mounting for after-harrow	2	2	2	4
2	0382902	U-bolt M18x200x100x200mm	4	4	4	8
3	0272300	Facet plate 18mm	8	8	8	16
4	0264100	Self-locking nut M18	8	8	8	16
5	1295875	Bar 40x40x5 L= 2500	1	0	0	0



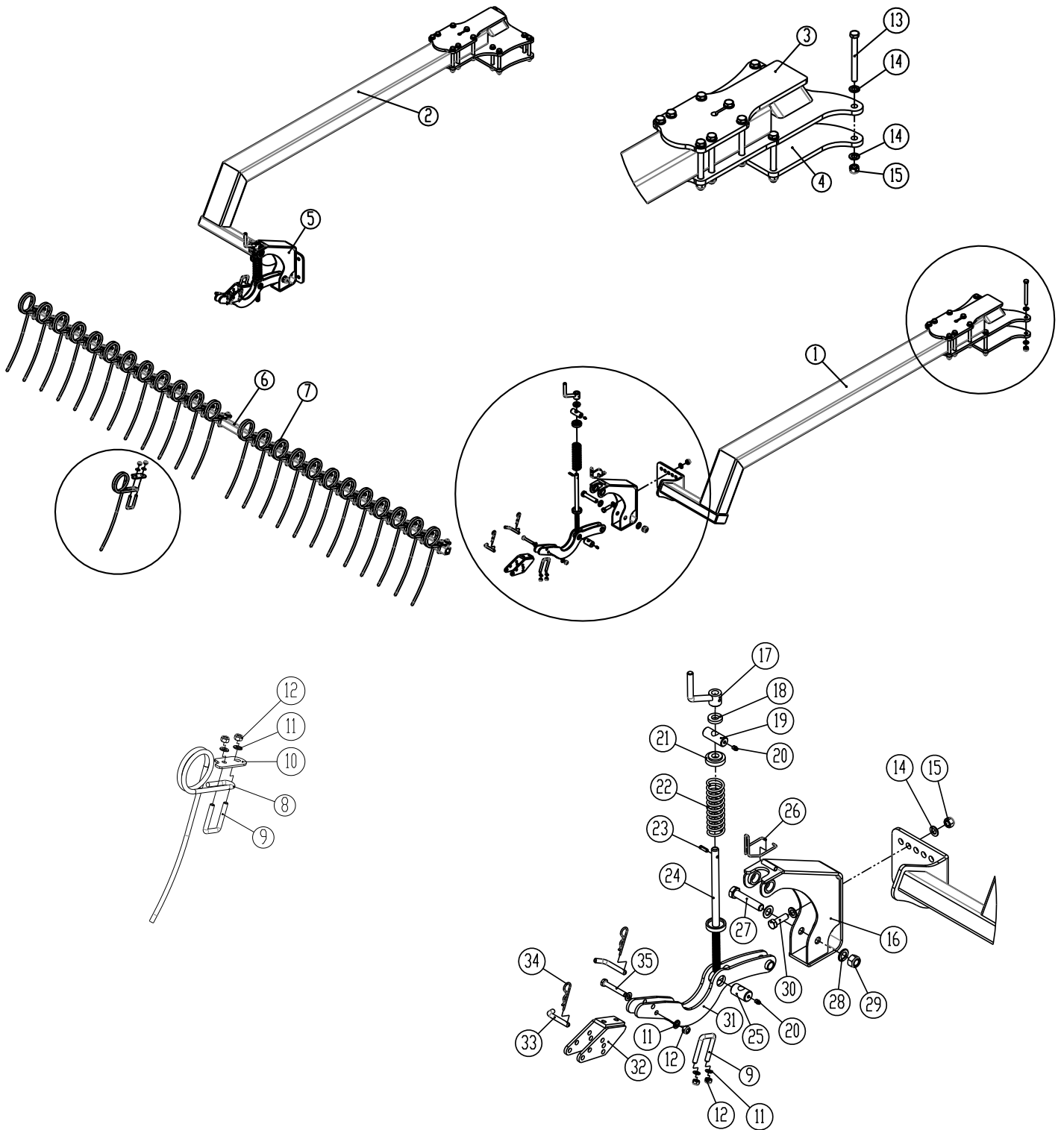
Pos.	Item no.	Designation	2,5m	3,0m	3,5m	4,0m
5	1295876	Bar 40x40x5 L= 3000	0	1	0	0
5	1295877	Bar 40x40x5 L= 3500	0	0	1	0
5	1295878	Bar 40x40x5 L= 2000	0	0	0	1
6	1295879	Bar 40x40x5 L= 1862	0	0	0	1
7	1140969	Long finger bracket, complete	2	2	2	4
8	1140966	Slideway for afterharrow	2	2	2	4
9	0431980	Spindle keeper for crank, ø5 fzb	2	2	2	4
10	690103197	Bolt M16x50 8.8	4	4	4	8
11	0272290	Facet plate 16mm	8	8	8	16
12	0264090	Self-locking nut M16	4	4	4	8
13	0236190	Bolt M20x100	2	2	2	4
14	0272310	Facet plate 20mm	4	4	4	8
15	0264110	Self-locking nut M20	2	2	2	4
16	1036260	Crank	2	2	2	4
17	0371660	Spring pin ø8x32mm, fzb DIN1481	2	2	2	4
18	1011410	Stop ring	2	2	2	4
19	1011470	Bearing f/spindel	2	2	2	4
20	0432500	Lubricating nipple, straight H1A-8mm	4	4	4	8
21	1170460	Disc for spindle f. after-harrow	2	2	2	4
22	0431250	Compression spring ø6,0x44x180x12V	2	2	2	4
23	1170467	Spindle f. guideway f. after-harrow	2	2	2	4
24	1012300	Spindle nut	2	2	2	4
25	1170468	Arm f. after-harrow	2	2	2	4
26	0382120	U-bolt M12x40x40x40	2	2	2	4
27	0272260	Facet plate 10mm	4	4	4	8
28	0264060	Self-locking nut M10	4	4	4	8
29	1170469	Adjusting unit f. after-harrow	2	2	2	4
30	1170478	Pin ø12mm	4	4	4	8
31	0377400	Hair-clip Ø4	4	4	4	8
32	0235370	Bolt M12x80	2	2	2	4
33	0272270	Facet plate 12mm	38	46	54	66
34	0264070	Self-locking nut M12	38	46	54	66
35	0426115	Long finger tin, complete w/U-bolt, nuts ect.	17	21	25	29
35	0426110	Long finger tine, individually	17	21	25	29
36	690110050	U-bolt M12 40x40x40	17	21	25	29
37	1012521	Tine bracket f/longfinger tine	17	21	25	29
38	0489580	Plastic plug RHS 40x40x2,5, black	2	2	2	4



Long finger after-harrow 2,5 m (Trailed)



Long finger after-harrow 3,0 – 3,5 – 4,0 m. (Trailed)



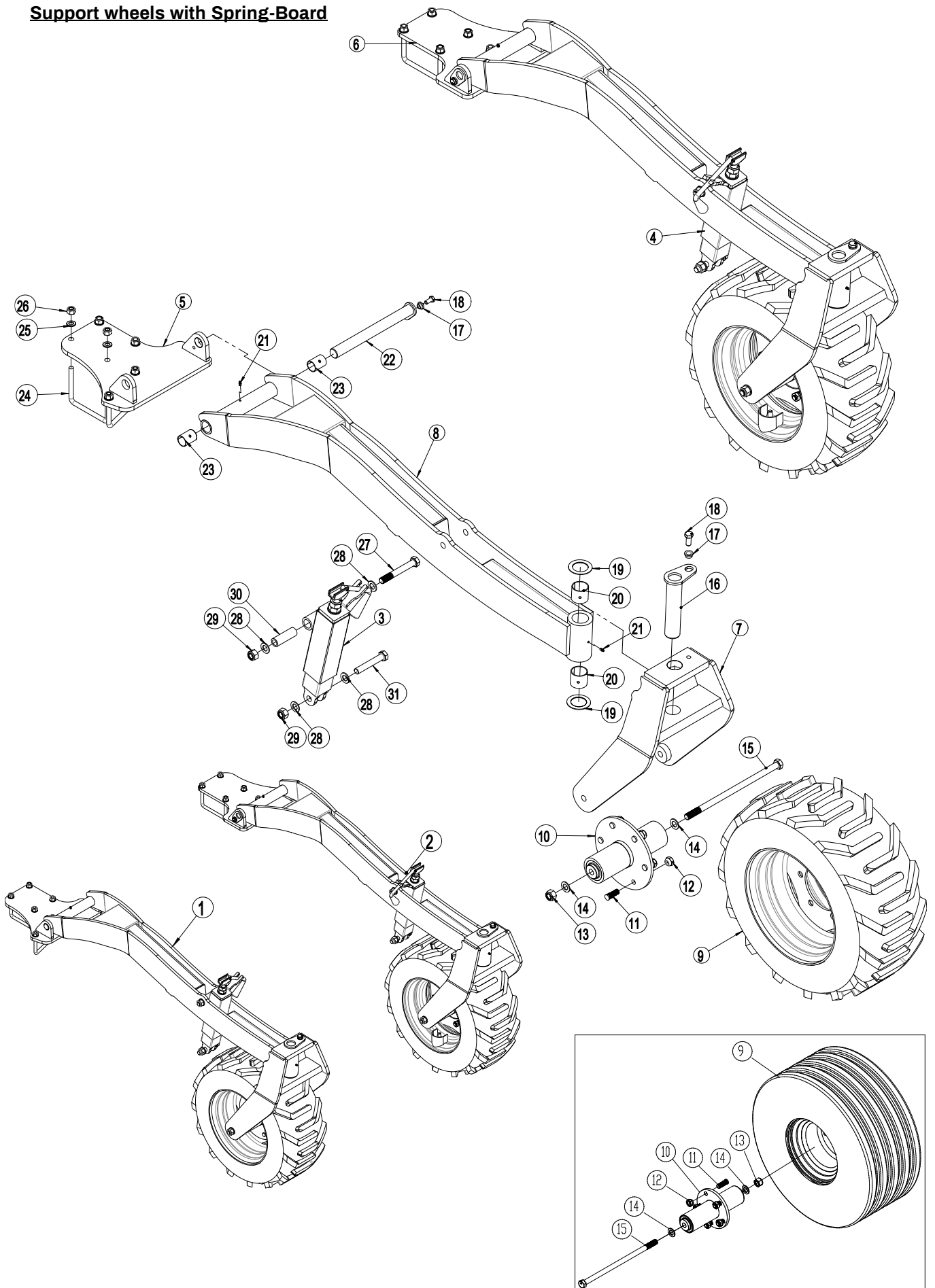
Pos.	Item no.	Designation	2,5m	3,0m	3,5m	4,0m
1	1295911	Arm for after harrow, right	1			
1	1300467	Arm for after harrow, right		1	1	1
2	1295912	Arm for after harrow, left	1			
2	1300469	Arm for after harrow, left		1	1	1
3	1300351	Plate for mounting arm on the Disc-Roller, right	1	1	1	1
3	1300353	Plate for mounting arm on the Disc-Roller, left	1	1	1	1
4	1300352	Bracket for the plate for mounting the arms.	2	2	2	2
5	1140969	Complete holder for bar	2	2	2	2
6	1295910	Bar 40x40x5 L=2450 mm	1			
6	1300466	Bar 40x40x5 L= 3000 mm		1		
6	1295916	Bar 40x40x5 L= 3450 mm			1	
6	1300517	Bar 40x40x5 L= 4000 mm				1
7	0426115	Long finger tine, Ø12 x 100 curved, Complete	18	22	25	29
8	0426110	Long finger tine, Ø12 x 100 curved, individually	18	22	25	29
9	0382120	U-bolt M12x40x40x40	24	24	27	31
10	1012521	Tine bracket f/longfinger tine	18	22	25	29
11	0272270	Facet plate Ø12	36	44	50	58
12	0264070	Self-locking nut M12	36	44	50	58
13	0235955	Bolt M16x160 8.8	26	26	26	26
14	0272290	Facet plate Ø16	52	52	52	52
15	0264090	Self locking nut M16	26	26	26	26
16	1140966	Slideway for afterharrow	2	2	2	2
17	1036260	Crank	2	2	2	2
18	1011410	Stop ring	2	2	2	2
19	1011470	Bearing for spindle	2	2	2	2
20	0432500	Lubricating nippel M8	4	4	4	4
21	1170460	Disc for spindle f. after-harrow	8	8	8	8
22	0431250	Compression spring ø6,0x44x180x12V	2	2	2	2
23	0371660	Spring pin ø8x30mm, fzb DIN1481	2	2	2	2
24	1170459	Spindle f. guideway f. after-harrow	2	2	2	2
25	1012300	Spindel nut	2	2	2	2
26	0431980	Spindle keeper for crank, ø5 fzb	2	2	2	2
27	0236190	Bolt M20x100 8.8	2	2	2	2
28	0272310	Facet plate Ø20	4	4	4	4
29	0264110	Self locking nut M20	2	2	2	2
30	690103197	Bolt M16x50 8.8	4	4	4	4



Pos.	Item no.	Designation	2,5m	3,0m	3,5m	4,0m
31	1170468	Arm f. after-harrow	2	2	2	2
32	1170469	Adjusting unit f. after-harrow	2	2	2	2
33	1170478	Pin Ø12	4	4	4	4
34	0377400	Hair-clip Ø4	4	4	4	4
35	0235440	Bolt M12x80 8.8	2	2	2	2



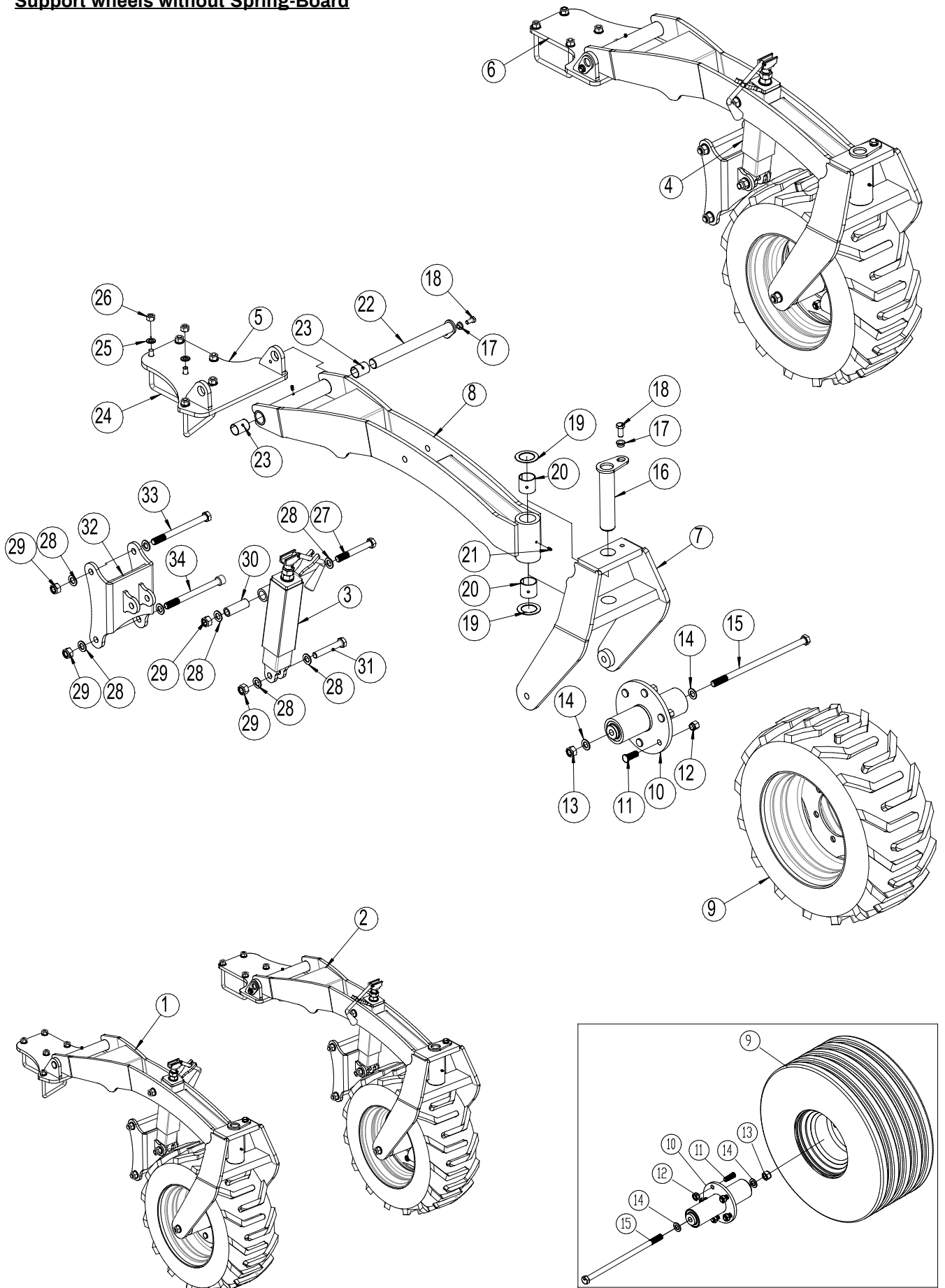
Support wheels with Spring-Board



Pos.	Item no.	Designation	2.5m	3,0m	3.5m	4.0m
1	630910772	Support wheel, right – complete	1	1	1	1
2	630910773	Support wheel, left – complete	1	1	1	1
3	630916557	Spindle, right	1	1	1	1
4	630916545	Spindle, left	1	1	1	1
5	630910752	Bracket rear, right support wheel	1	1	1	1
6	630910723	Bracket rear, left support wheel	1	1	1	1
7	630910740	Wheel suspension	2	2	2	2
8	630910764	Wheel assembly	2	2	2	2
9	0395650	Wheel 300/65x12, complete (5-holes wheel rim)	2	2	2	2
9	0395653	Wheel 300/55-14,5 SG Flotation, right (6–holes	1	1	1	1
9a	0395654	Wheel 300/55-14,5 SG Flotation, left (6–holes wheel	1	1	1	1
10	7365010	Hub 5-M16/94-140 (5–holes hub)	2	2	2	2
10	7365005	Hub 6-M18x1,5/205 (6-holes hub)	2	2	2	2
11	0395271	Hub bolt M16x1,5 x 50mm (5-holes hub)	10	10	10	10
12	0395291	Hub nut M16 x 1,5 (5-holes hub)	10	10	10	10
11	0396460	Hub bolt M18 x 1.5 L=54mm (6-holes hub)	12	12	12	12
12	0396470	Hub nut M18 x 1.5 (6-holes hub)	12	12	12	12
13	0264110	Self-locking nut M20, DIN985	2	2	2	2
14	0272310	Facet plate Ø20	4	4	4	4
15	0236333	Steel bolt M20x420 8.8	2	2	2	2
16	69450230G	Pin Ø50 L=230, welded head	2	2	2	2
17	630532700	Lock bush for pin head	4	4	4	4
18	690103124	Bolt M16x35 8.8	4	4	4	4
19	690140712	Sliding disc Ø52/Ø78x2	4	4	4	4
20	690140710	Bearing shell Ø50/55 L=50	2	2	2	2
21	0432100	Lubrication nipple M6	2	2	2	2
22	69435355G	Pin Ø35 L=355. welded head	2	2	2	2
23	690140716	Slide bush Ø35/Ø39 L=50	4	4	4	4
24	0382800	U-bolt M16x100x150x100	6	6	6	6
25	0272290	Facet plate Ø16	12	12	12	12
26	0264090	Self-locking nut M16	12	12	12	12
27	0236240	Bolt M20x150 8.8	2	2	2	2
28	0272310	Facet plate Ø20	4	4	4	4
29	0264110	Self-locking nut M20, DIN985	2	2	2	2
30	675101006	Bush BK 30x5 L=89	2	2	2	2
31	0236210	Bolt M20x120 8.8	2	2	2	2



Support wheels without Spring-Board

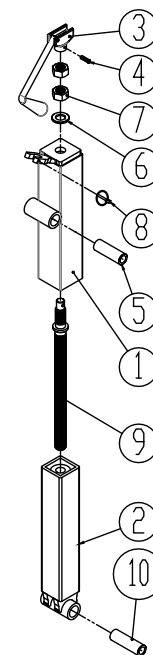


Pos.	Item no.	Designation	2.5m	3.0m	5.5m	6.5m
1	630910770	Support wheel, right – complete	1	1	1	1
2	630910771	Support wheel, left – complete	1	1	1	1
3	630916557	Spindle, right	1	1	1	1
4	630916545	Spindle, left	1	1	1	1
5	630910752	Bracket rear, right support wheel	1	1	1	1
6	630910723	Bracket rear, left support wheel	1	1	1	1
7	630910740	Wheel suspension	2	2	2	2
8	630910742	Wheel assembly	2	2	2	2
9	0395650	Wheel 300/65x12, complete (5-holes wheel rim)	2	2	2	2
9a	0395653	Wheel 300/55-14,5 SG Flotation, right (6-holes wheel rim)	1	1	1	1
9b	0395654	Wheel 300/55-14,5 SG Flotation, left (6-holes wheel rim)	1	1	1	1
10	630910750	Hub 5-M16/94-140 (5-holes hub)	2	2	2	2
10	7365005	Hub 6-M18x1,5/205 (6-holes hub)	2	2	2	2
11	0395271	Hub bolt M16x1,5 x 50mm (5-holes hub)	10	10	10	10
12	0395291	Hub nut M16 x 1,5 (5-holes hub)	10	10	10	10
11	0396460	Hub bolt M18 x 1.5 L=54mm (6-holes hub)	12	12	12	12
12	0396470	Hub nut M18 x 1.5 (6-holes hub)	12	12	12	12
13	0264110	Self-locking nut M20, DIN985	2	2	2	2
14	0272310	Facet plate Ø20	4	4	4	4
15	0236333	Steel bolt M20x420 8.8	2	2	2	2
16	69450230G	Pin Ø50 L=230, welded head	2	2	2	2
17	630532700	Self-locking bush for pin head	4	4	4	4
18	690103124	Bolt M16x35 8.8	4	4	4	4
19	690140712	Sliding disc Ø52/Ø78x2	4	4	4	4
20	690140710	Bearing shell Ø50/55 L=50	2	2	2	2
21	690136001	Lubrication nipple M6	2	2	2	2
22	69435355G	Pin Ø35 L=355. welded head	2	2	2	2
23	690140716	Slide bush Ø35/Ø39 L=50	4	4	4	4
24	0382800	U-bolt M16x100x150x100	6	6	6	6
25	0272290	Facet plate Ø16	12	12	12	12
26	0264090	Self-locking nut M16	12	12	12	12
27	0236240	Bolt M20x150 8.8	2	2	2	2
28	0272310	Facet plate Ø20	4	4	4	4
29	0264110	Self-locking nut M20, DIN985	2	2	2	2
30	675101006	Bush BK 30x5 L=89	2	2	2	2
31	0236210	Bolt M20x120 8.8	2	2	2	2
32	630910745	Suspension for spindle	2	2	2	2
33	0236310	Bolt M20x240 8.8	2	2	2	2
34	690103002	Hexagon screw M20x240 12.9	2	2	2	2



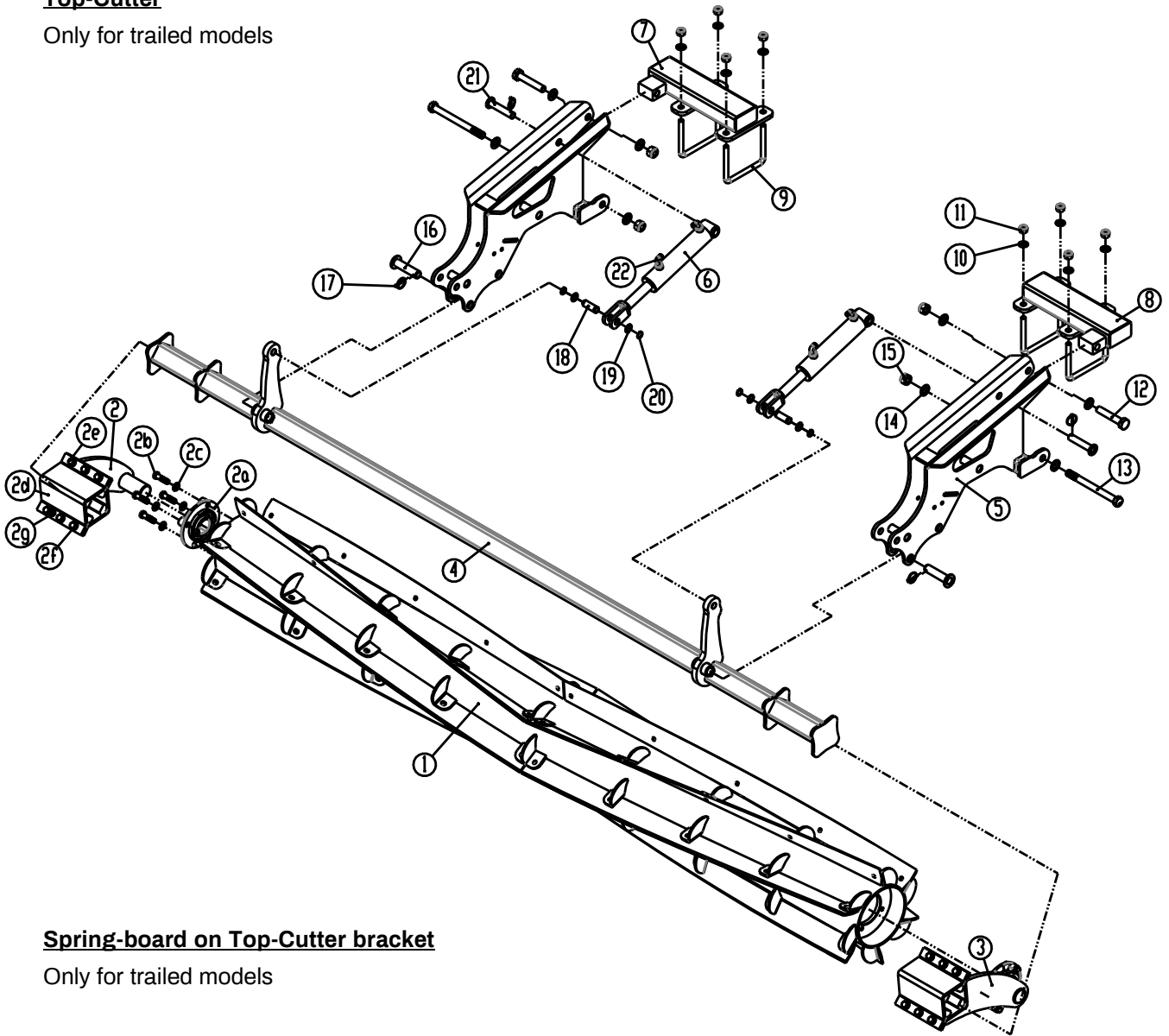
Spindle f/support wheel

Pos.	Item no.	Designation	Quantity
1	675101007	Outer part f/spindle	1
2	1237023	Inner part f/spindle	1
3	690304102	Cranck	1
4	0371660	Spring pin $\varnothing 8 \times 32 \text{mm}$, fzb DIN1481	1
5	675101006	Bush BK 30x5 L=89 S235JR	1
6	0272330	Facet plate $\varnothing 24 \text{mm}$	1
7	0261425	Self-locking nut M24	2
8	0378200	Ring split, $\varnothing 4,5 \text{mm}$, galv.	1
9	690304122	Spindle, thread bar 28TR L=455	1
10	1237022	Bush on spindle 30x5 L=98 BK-tube	1



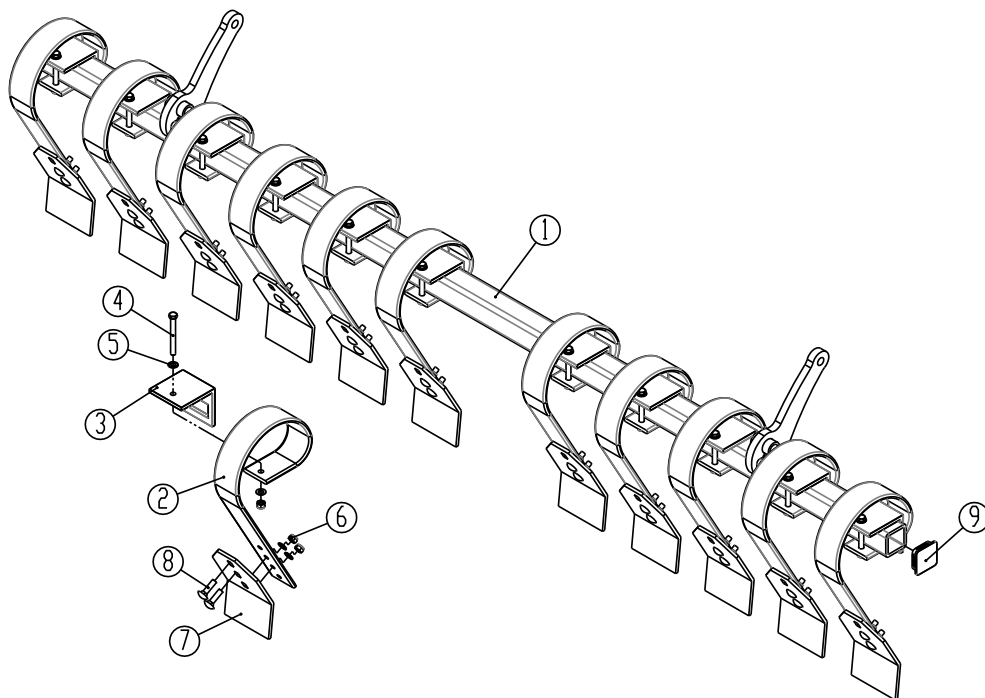
Top-Cutter

Only for trailed models



Spring-board on Top-Cutter bracket

Only for trailed models



Pos.	Item no.	Designation	2,5m	3,0m	3,5m	4,0m
-	67410-92	Top-Cutter, complete	1			
-	67410-94	Top-Cutter, complete		1		
-	67410-96	Top-Cutter, complete			1	
-	67410-98	Top-Cutter, complete				1
1	7455245	Top-Cutter roller 2464mm w/blades	1			
1	7455269	Top-Cutter roller 2930mm w/blades		1		
1	7455424	Top-Cutter roller 3380mm w/blades			1	
1	7455415	Top-Cutter roller 3921mm w/blades				1
2	1330942	Top-Cutter right leg with UCFC 210 R6 ϕ 50 bearing	1	1	1	1
3	1330946	Top-Cutter left leg with UCFC 210 R6 ϕ 50 bearing	1	1	1	1
4	1295923	Bar f/Top-Cutter L= 2555mm	1			
4	1295922	Bar f/Top-Cutter L= 3010mm		1		
4	1295934	Bar f/Top-Cutter L= 3470mm			1	
4	1295938	Bar f/Top-Cutter L= 4010mm				1
5	1295310	Horn	2	2	2	2
6	690200160	Cylinder 50/30x155	2	2	2	2
6a	690200046	Gasket set 50/30				
7	1295812	Mounting bar, right	1			
7	633911000	Mounting bar, right		1	1	1
8	1295813	Mounting bar, left	1			
8	633911010	Mounting bar, left		1	1	1
9	0382800	U-bolt M16x100x150x100	4	4	4	4
10	0272290	Facet plate ϕ 16 DIN125B	8	8	8	8
11	0264090	Self-locking nut M16	8	8	8	8
12	690103196	Bolt M20x110	2	2	2	2
13	690103178	Bolt M20x220 10.9	2	2	2	2
14	0272310	Facet plate ϕ 20 DIN125B	8	8	8	8
15	0264110	Self-locking nut M20	4	4	4	4
16	69525087F	Pin ϕ 25 L=87	2	2	2	2
17	0378200	Ringsplit ϕ 4,5	4	4	4	4
18	69520046D	Pin ϕ 20 L=46	2	2	2	2
19	690115010	Washer ϕ 20/ ϕ 28x1,0	4	4	4	4
20	691372020	Seeger circlip ring ϕ 20 Din 471 out (A2)	4	4	4	4
21	69520087F	Pin ϕ 20	2	2	2	2
22	690203006	Fitting, angle 10-3/8" BSP	4	4	4	4

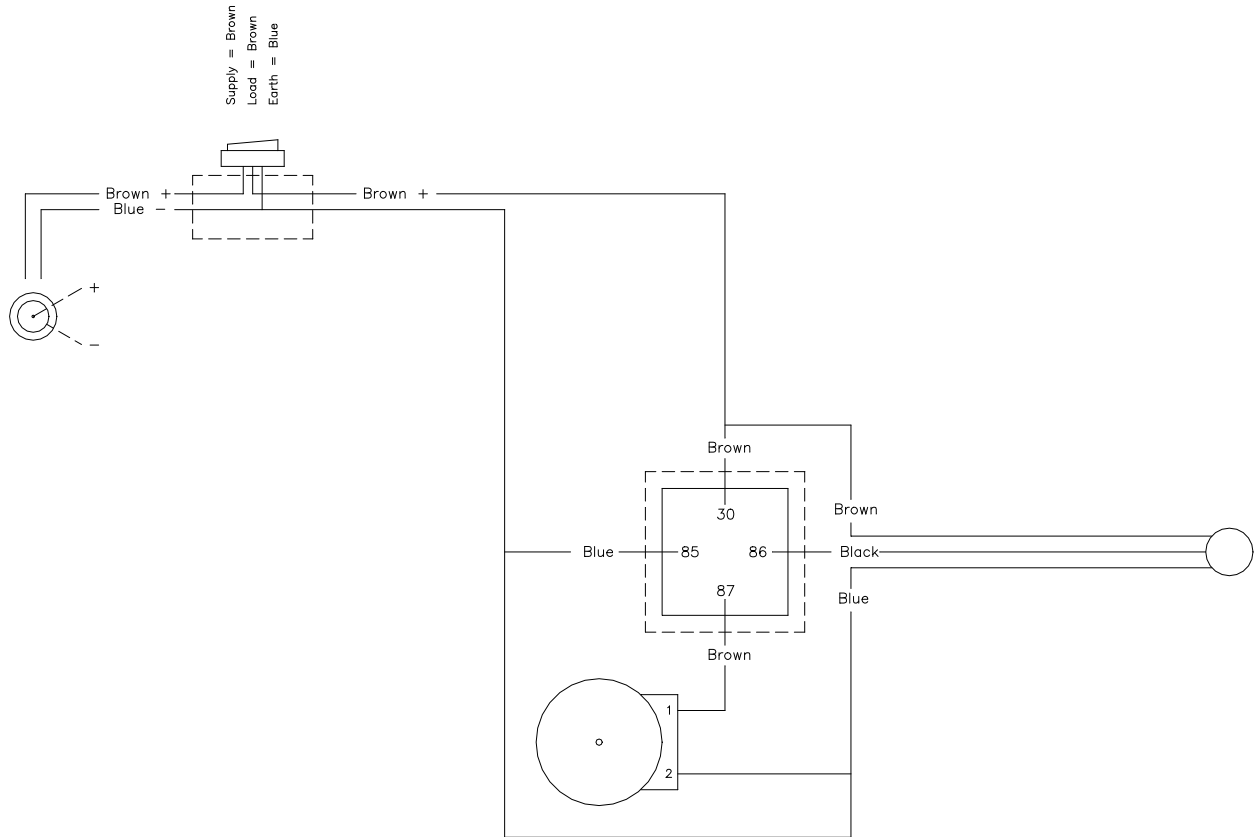


Pos.	Item no.	Designation	2,5m	3,0m	3,5m	4,0m
-	67410-93	Spring-Board on Top-Cutter bracket, cpl.	1			
-	67410-95	Spring-Board on Top-Cutter bracket, cpl.		1		
-	67410-97	Spring-Board on Top-Cutter bracket, cpl.			1	
-	67410-99	Spring-Board on Top-Cutter bracket, cpl.				1
1	1331344	Bar f/Spring-Board L=2400mm	1			
1	1331346	Bar f/Spring-Board L=2900mm		1		
1	1331348	Bar f/Spring-Board L=3400mm			1	
1	1331350	Bar f/Spring-Board L=3900mm				1
2	0422145	Tine 80x10	10	12	14	16
3	633052200	Clamp f/tine	10	12	14	16
4	690103098	Bolt M12x110 10.9	10	12	14	16
5	0272270	Facet plate Ø12, DIN 125B	40	48	56	64
6	0264070	Self-locking nut M12, DIN 985	30	36	42	48
7	633052100	Spring-Board tine point flat incl. bolts	10	12	14	16
8	0248670	Carrier bolt M12x45	20	24	28	32
9	0489610	Plastic plug f/ 70x70 tube	2	2	2	2

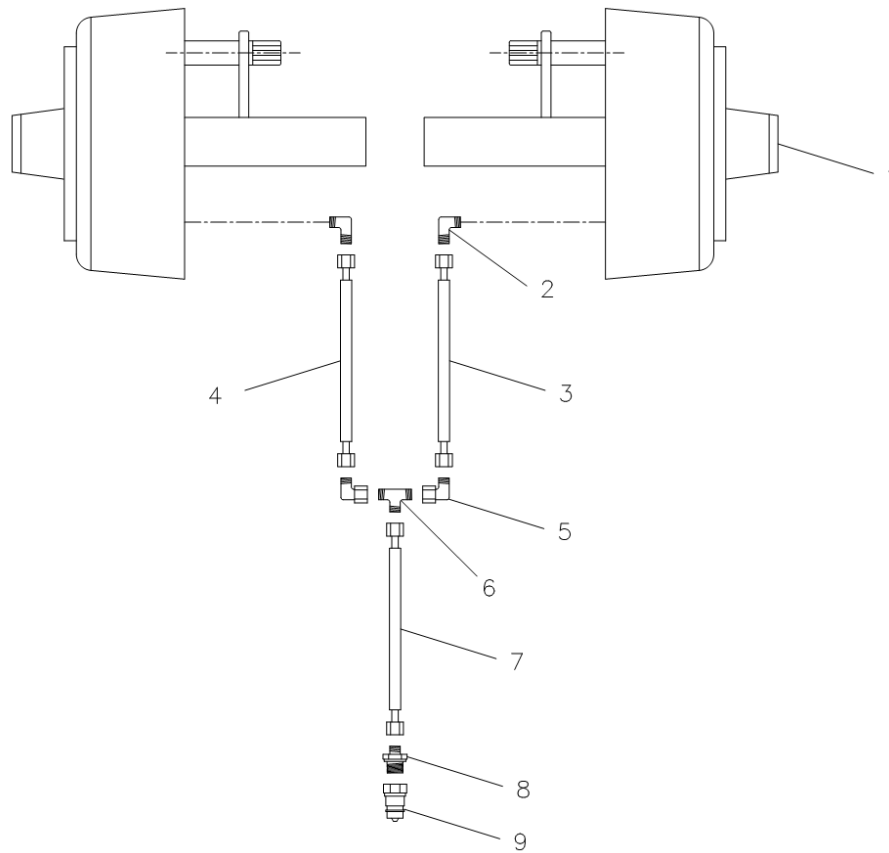


Diagrams

El. depth stop



Hydraulic brakes



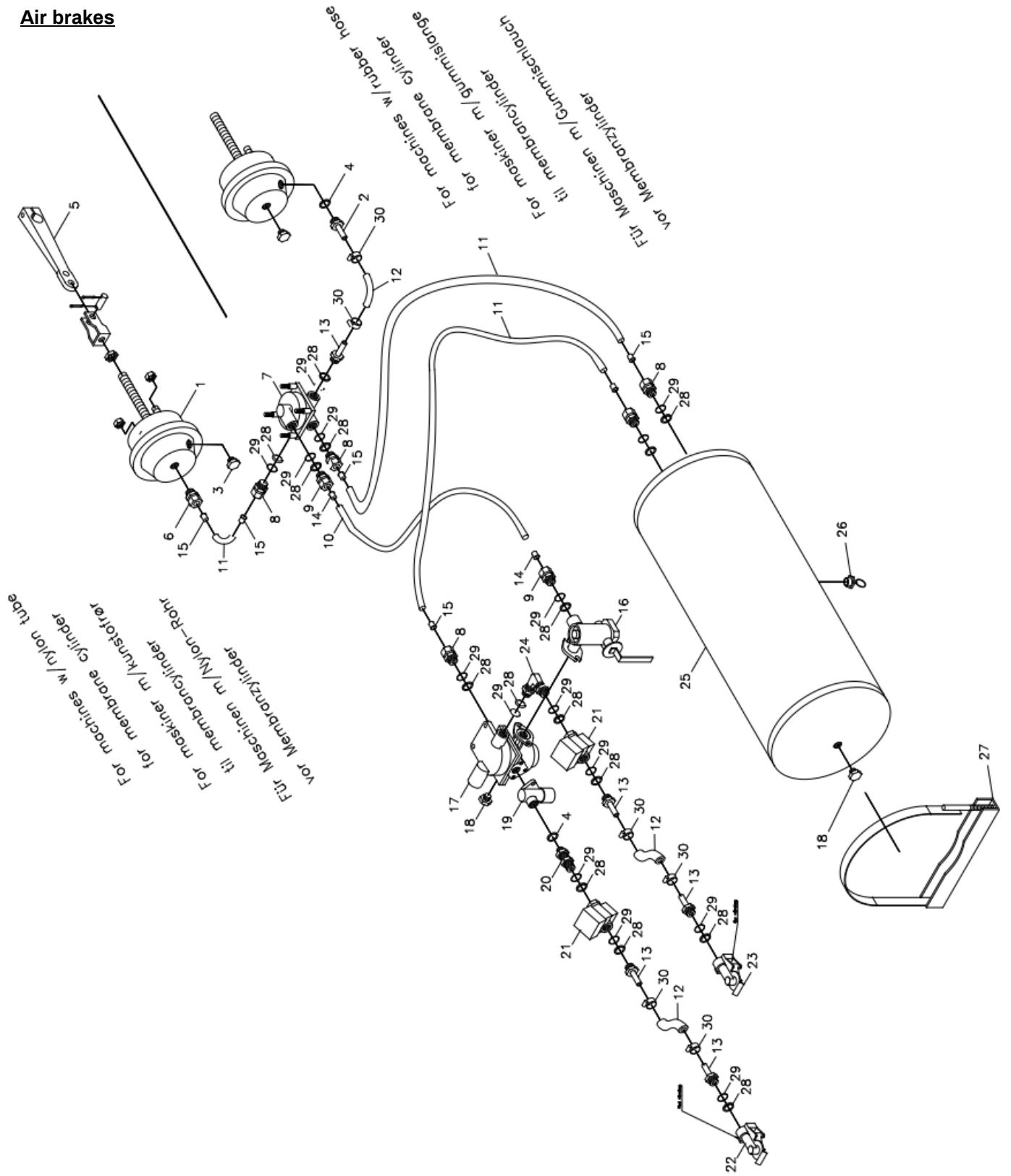
Pos.	Item no.	Designation	2,5 m	3,0m	3,5m	4,0 m
1		See pages with wheelframes	2	2	2	2
2	690203006	Fitting, 90angle 10-3/8" BSP	2	2	2	2
3	690201020	Hydr. hose 1625 mm ¼" st/st	1	1	1	1
4	690201020	Hydr. hose 1625 mm ¼" st/st	1	1	1	1
5	0446678	Fitting 90 angle Ø10x3/8"	2	2	2	2
6	690203015	Fitting, T10	1	1	1	1
7	690201012	Hydr. hose 6000mm ¼" st/st	1	1	1	1
8	690203003	Fitting, straight 10-1/2" BSP	2	2	2	2
9	690203001	Quick coupling 1/2", E402 male	2	2	2	2

Note:

Check number and measurements of all hoses before ordering the spare parts

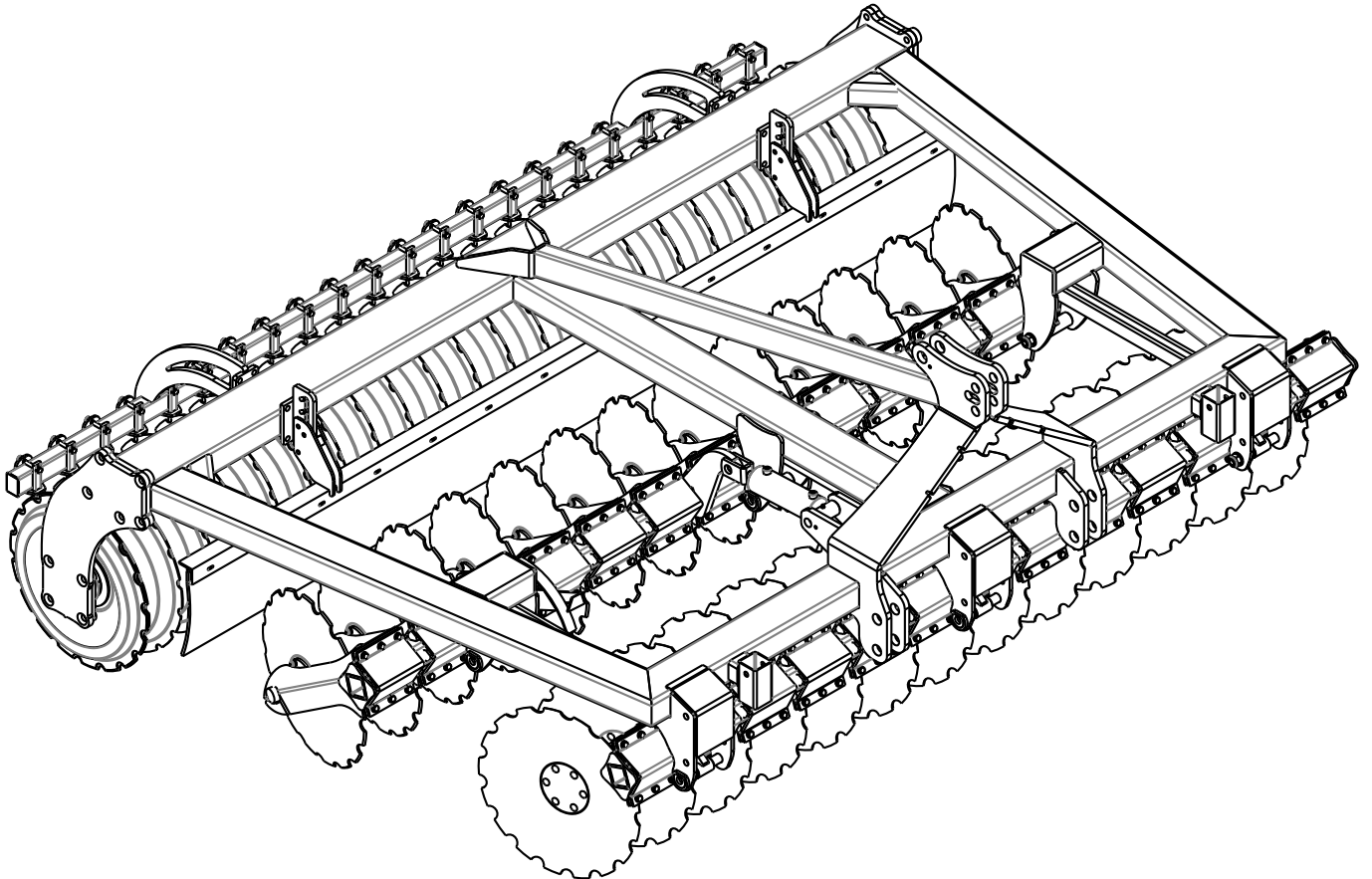


Air brakes

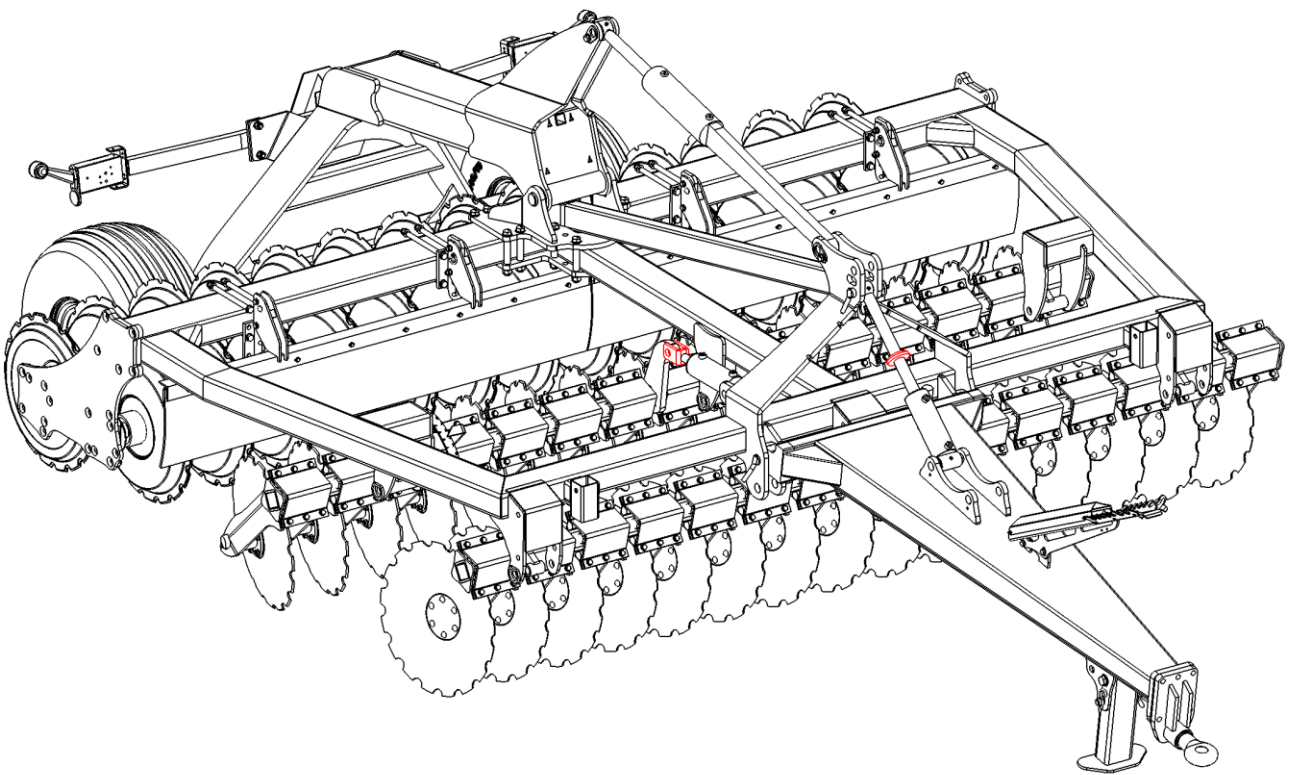


Pos.	Item no.	Designation	w/nylon tube for membrane cyl	w/rubber hose for membrane cyl.
1	690190001	Membrane cylinder 16"	2	2
2	690190070	Hose fittings M16x1,5 m/ Ø12	0	2
3	690190005	Test fitting, straight M16x1,5	2	2
4	690208102	Bonded seal PP 45-12	1	3
5	690190010	Mounting set, short U-bracket	2	2
6	690202930	Fitting, straight M16x1,5, Ø15 hose	2	0
7	690190015	Relay valve M22x1,5	1	1
8	690202941	Fitting, straight M22x1,5, Ø15 hose	6	4
9	690202940	Fitting, straight M22x1,5, Ø10 hose	2	2
10	690190080	Nylon tube Ø10x1mm	1	1
11	690190085	Nylon tube Ø15x1,5mm	4	2
12	690190105	Hose Ø14,5x5mm	2	4
13	690190073	Hose fitting M22x1,5, m/Ø12	4	6
14	690190090	Support bushing f/tube Ø10x1,5mm	2	2
15	690190095	Support bushing f/tube Ø15x1,5mm	8	4
16	690190020	Brake power regulator M22x1,5	1	1
17	690190025	Trailer air brake valve M22x1,5	1	1
18	690190026	Plug	2	2
19	690190035	Relief valve	1	1
20	690203420	Fitting, straight M16x1,5+M22x1,5	1	1
21	690190040	Filter M22x1,5	2	2
22	690190045	Hose coupling M22x1,5 (red)	1	1
23	690190046	Hose coupling M22x1,5 (yellow)	1	1
24	690190030	V-fittings M22x1,5	1	1
25	690190050	Air receiver 40ltr	1	1
26	690190051	Drainage valve	1	1
27	690190052	Suspension for air receiver	2	2
28	690190060	Pressure ring M22x1,5	15	15
29	690190065	O-ring M22x1,5	15	15
30	690109305	Hose clamp 15-24 mm	4	8

Three-point mounted machine



Trailed machine



Notes





as it looks
As good as it looks
As good as it looks
As good as it looks
As good as it looks



The design is subject to modification without notice.