

# Extra Equipment

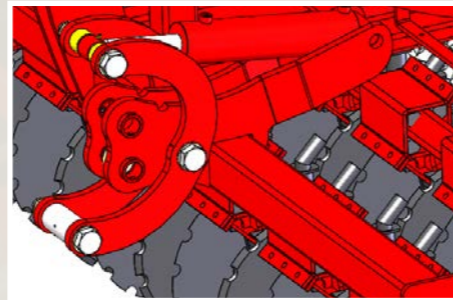
LED Lighting



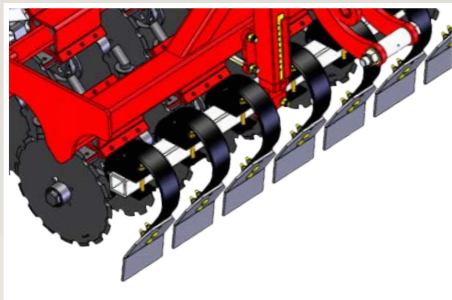
Warning Boards



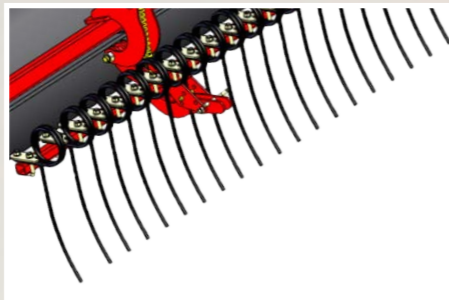
Hydraulic Weight Transfer



Spring-Board In Front of Coulters



Front Harrow with 12 mm Tines



Multi-Seeder 410 or 660 Litre



# Technical Specifications



3.00 - 3.50 m



1,340 - 2,160 kg



80+ hp

Working Width, m	Roller Type	Number of Coulters	Row Spacing, mm	Power Req., hp	Weight, kg
3.00	450/500 mm Star Roller	24	125	80+	1,880
3.00	Ø406 mm Plain Roller	24	125	80+	1,340 w/o water 1,790 w/water
3.00	450/500 mm Star Roller	32	94	80+	1,990
3.00	Ø406 mm Plain Roller	32	94	80+	1,450 w/o water 1,900 w/water
3.40	450/500 mm Star Roller	36	94	90+	2,260
3.40	Ø406 mm Plain Roller	36	94	90+	1,650 w/o water 2,160 w/water
3.50	450/500 mm Star Roller	28	125	90+	2,200
3.50	Ø406 mm Plain Roller	28	125	90+	1,570 w/o water 2,100 w/water



# G-Drill

The New Generation of Grassland and Grain Seeding Technology



Tel.: +45 97 72 42 88  
E-mail: info@he-va.com

Web: www.he-va.com

N.A. Christensensvej 34  
DK-7900 Nykøbing Mors

Your HE-VA dealer



HE-VA reserves the right to make design and construction changes without notice



# G-Drill

The HE-VA G-Drill is a newly developed seeder for those who refuse to compromise on grassland maintenance and reseeding performance. It has been specifically designed for the establishment of new grassland areas as well as overseeding in existing swards. At the same time, it is also suitable for sowing grain crops. At the heart of the system is the HE-VA Multi-Seeder, ensuring uniform and reliable seed metering.

## YOUR BENEFITS AT A GLANCE

### Heavy-Duty Disc Coulters

Serrated 400 mm disc coulters create a clean seed furrow – ideal in conditions with large amounts of crop residue and for accurate seed placement.

### Precise Seeding Depth

The adjustable packer roller and rigid coulters ensure a consistent and accurate seeding depth.

### High Operational Flexibility

A versatile range of equipment options – including adjustment of coulters pressure – ensures optimum results under all conditions.

### Disc Coulters with a 13° Working Angle

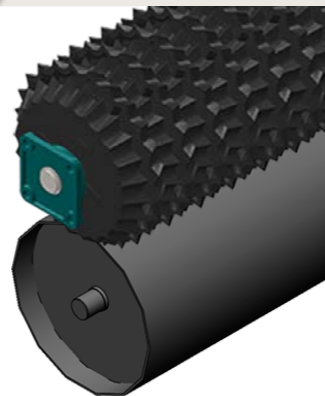
The G-Drill is equipped with robust 400 mm disc coulters positioned at an optimal 13° angle to the direction of travel. This creates a clean furrow up to 20 mm deep, allowing seeds to be placed accurately. The serrated outer edge of the discs ensures reliable rotation, even in dense vegetation and older grass swards.

This guarantees effective soil penetration and excellent seed-to-soil contact for every seed.

### Roller Types

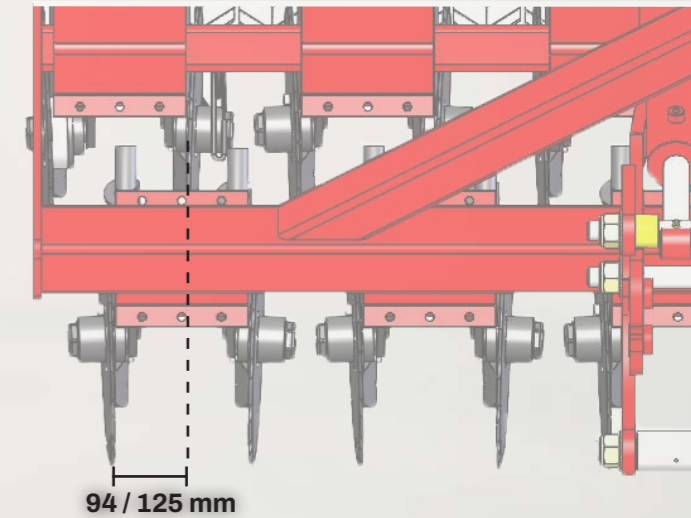
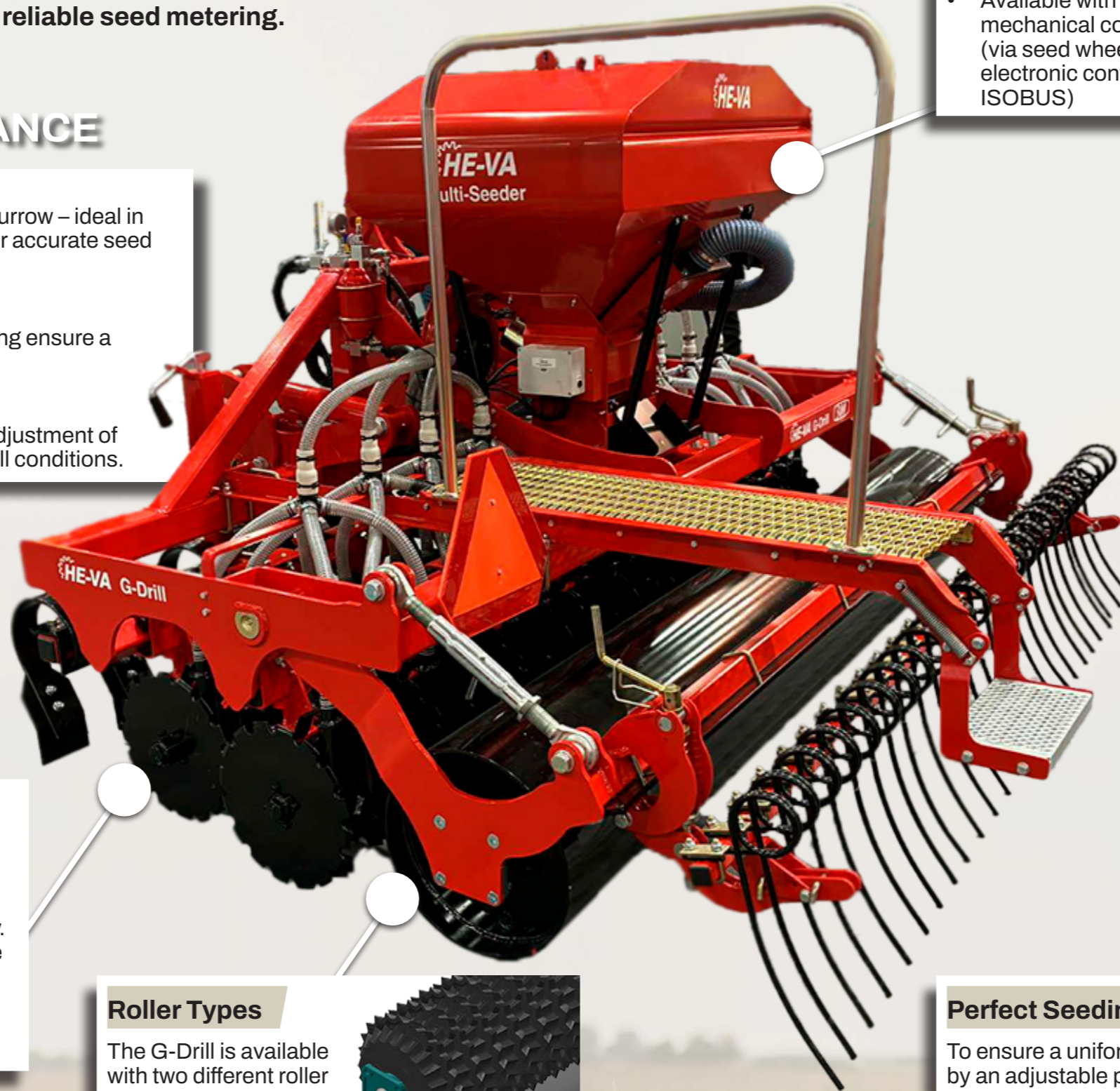
The G-Drill is available with two different roller options:

Star Roller  
Plain Roller



### Multi-Seeder

- Hydraulic fan
- Hopper capacity of 410 or 660 litres
- Available with either mechanical control (via seed wheel) or electronic control (AC or ISOBUS)



### Perfect Seeding Depth - Across All Terrain

To ensure a uniform seeding depth, the machine is guided by an adjustable packer roller. Depending on soil conditions, different roller types can be selected to achieve optimum results for every task.

For particularly demanding conditions, an optional coulters pressure enhancement system is available. Using the tractor's linkage arms, pressure on the coulters can be increased to ensure precise seed placement, even on hard soil surfaces.