



Declaration of Conformity

Operating Instructions

Spare Part List



He-Va Vip-Roller 3.3 – 4.5 m



N. A. Christensensvej 34
DK-7900 Nykøbing Mors
Tel: +45 9772 4288
Fax: +45 9772 2112
www.he-va.com

CONTENTS:

EC DECLARATION OF CONFORMITY	4
1. DELIVERY CHECK	5
2. OPERATING INSTRUCTIONS	5
2.1 ATTACHMENT	5
2.2 TRANSPORT	6
3. MAINTENANCE	6
4. SPARE PART LIST	7
4.1 TAIL	7
4.2 CENTRE FRAME/SIDE SECTION.....	9
4.3 ROLLER BLOCK 3.3 – 4.5 M.....	12
5. NOTES	15



EC DECLARATION OF CONFORMITY

in accordance with the EU Machinery Directive 2006/42/EC
applicable as from December 29th 2009:

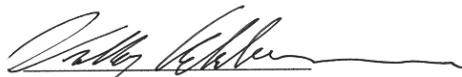
HE-VA ApS
N. A. Christensensvej 34,
DK-7900 Nykøbing Mors

hereby confirms that the following machine has been manufactured in accordance with the Council
Directive 2006/42/EC.

The declaration comprises the following machine:

Vip - Roller 3,3m – 3,7m – 4,1m – 4,5m

Nykøbing the 29th December 2009


Villy Christiansen

The undersigned is furthermore authorised to compile technical documentation for the above
machine.

1. Delivery Check

Check the roller for any damages. Check the hydraulic hoses for cuts and squeezing damages. Check also that the other hydraulic components have not been damaged during transport.

Check that the frame construction has not been damaged. You should also check that the roller blocks have not been exposed to impacts, which may have damaged the cast roller rings or the double-sealed ball bearings.

Finally check that the transport wheels are tightened and OK. Check the air pressure:
200/60 x 14,5 - 10pr.= 4 bar/55 psi

2. Operating Instructions

2.1 Attachment

On delivery the roller is in transport position. At start-up the roller is attached to the tractor.

Important:

Check that the towing hook height is between **400 and 500 mm.**

Raise the support leg and located it in the transport fittings of the tail.

Now mount the hydraulic hoses (3) in the tractor PTO.

Important:

Check that the factory-mounted male ends fit the female ends of the tractor.

Now pressurise the tip cylinder (red) so that the side sections are tipped free of the transport fittings. Then pressurise the side sections (blue) so that the sections are turned backward, as far as possible.

Then unpressurise the tip cylinder and the roller will tip forward down to working position. When the Tip-Cylinder is totally down, let the hydraulic lever go and the roller is ready for use.

Important:

For the first change-over, the attachment of the centre section against the tail must be adjusted so that the roller sections are **horizontal in driving direction.**

2.2 Transport

At change-over for transport, the roller is tipped totally backward by pressurising the tip cylinder.

Now pressurise the side section cylinder so that these turn forward, towards the stop on the transport fittings of the tail.

When both sides lie in parallel with the tail, they are lowered down into the transport fittings by unpressurising the tip cylinder.

Now relieve the hydraulics totally, and the roller is ready for transport.

3. Maintenance

A.After approximately 10 hours of operation, the wheels, ball bearings and stop rings must be retightened. Check hoses, fittings and cylinders for any leaks and retighten.

B.After every approximately 30 hours of operation, lubricate the tip cylinder rivets and the two lubricating points of the side sections with grease.

C.After the season, clean the roller and lubricate with grease and oil.

Important:

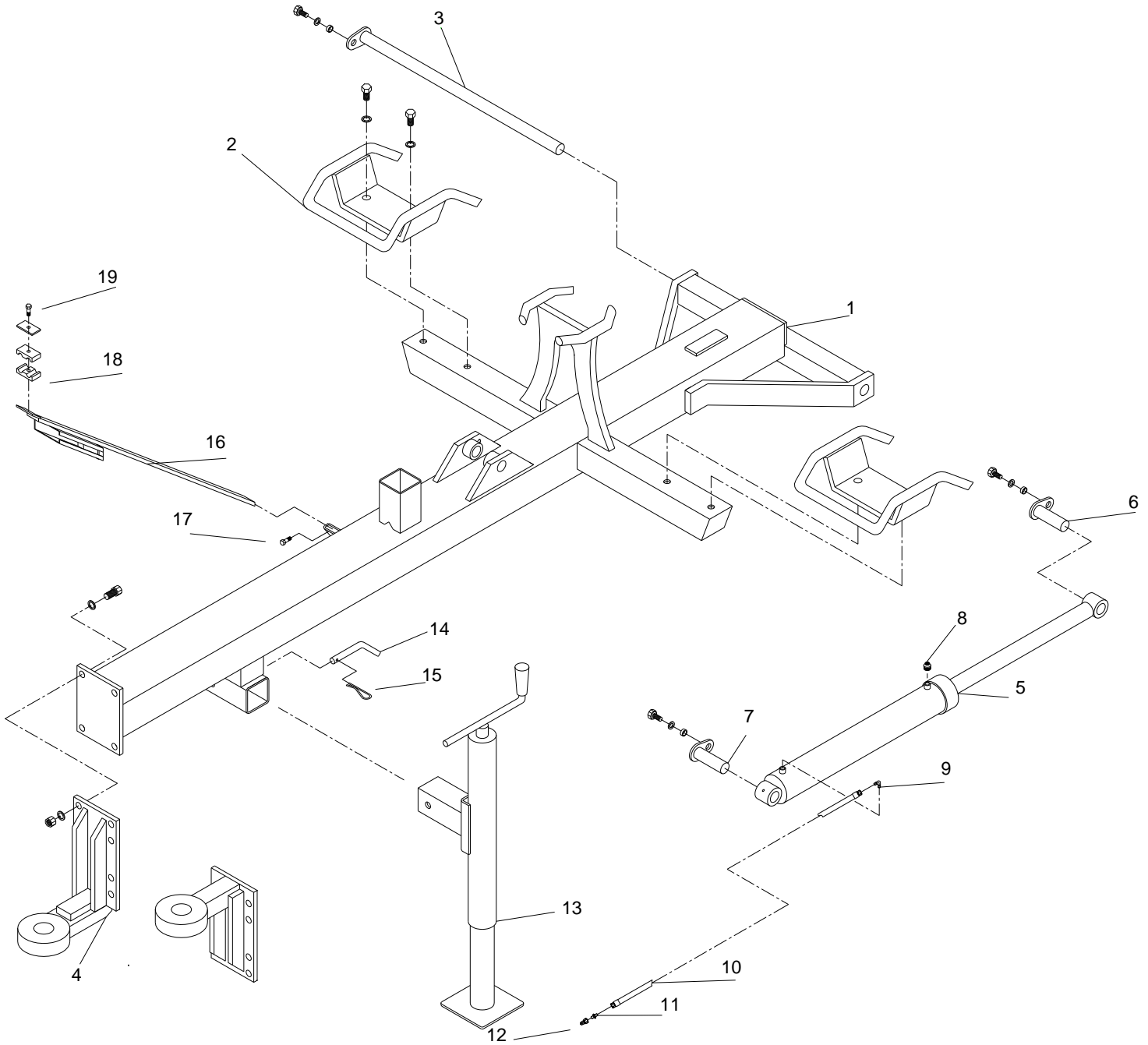
Lubricate the bright piston rod with grease.

Important:

The hydraulic system has been filled with oil, type :
Hydro Texaco HD 32

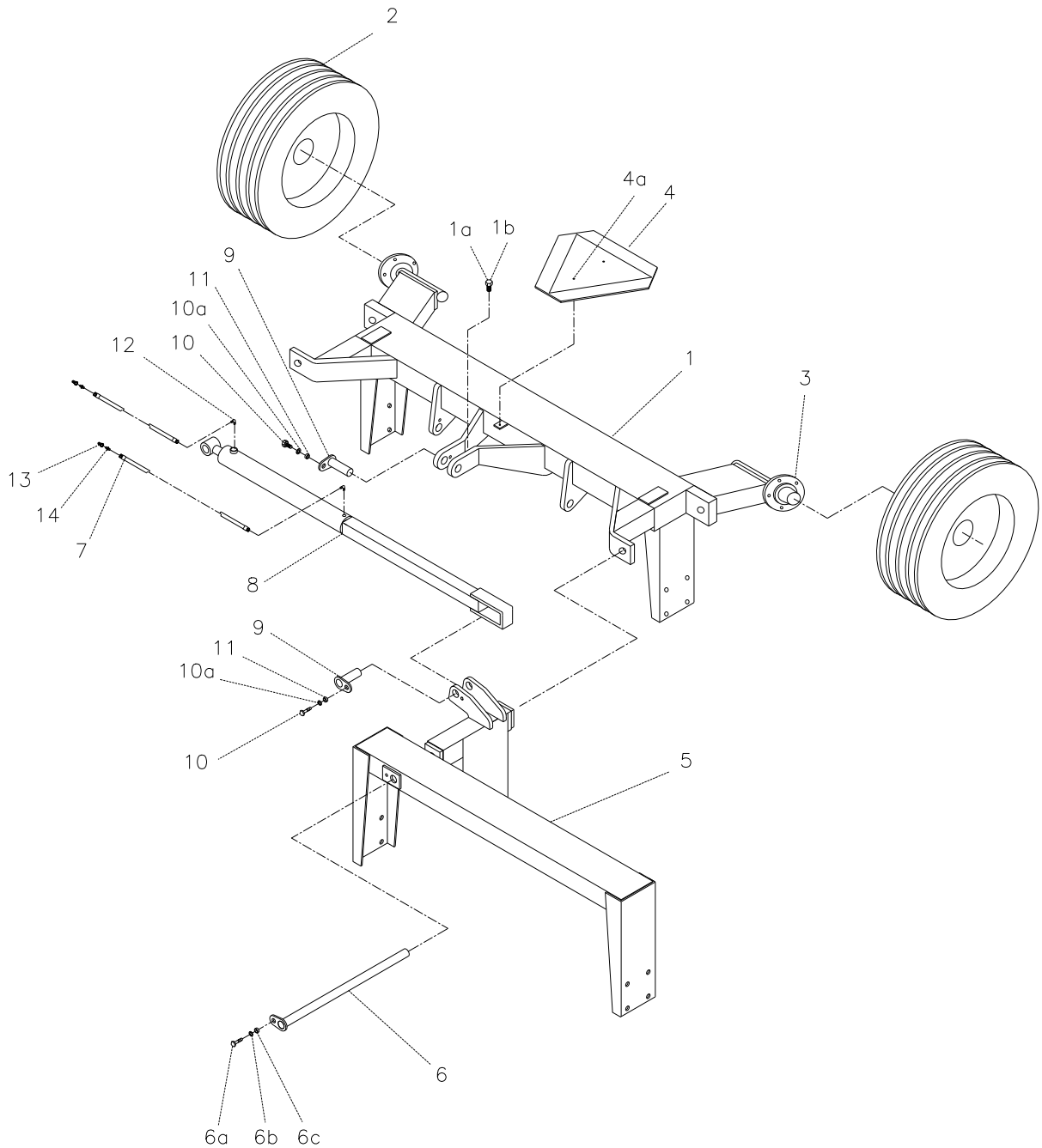
4. Spare Part List

4.1 Tail



Pos	Varenummer	Betegnelsen	3,3	3,7	4,1	4,5
1	631631000	Drawbar 3,3 – 4,5m	1	1	1	1
2	631530200	Transport bracket Ø380/450mm	2	2	2	2
2	631530030	Transport bracket Ø500/550/Crosskill	2	2	2	2
2a	690101143	Bolt M16x35	4	4	4	4
2b	690117013	Faceted disc Ø16	4	4	4	4
3	631630500	Pin Ø30 L=690	1	1	1	1
3a	690101101	Bolt M12x25	1	1	1	1
3b	690117014	Faceted disc Ø12	1	1	1	1
3c	630532600	Locking sleeve for pinhead	1	1	1	1
4	631630300	Front drawbar DK/N	1	1	1	1
4a	631630400	Front drawbar D	1	1	1	1
4b	690113008	Self locking nut M16	4	4	4	4
4c	690117013	Faceted disc Ø16	8	8	8	8
4d	690103127	Bolt M16x50	4	4	4	4
5	690200060	Cylinder 70/40x500 Ø30/Ø30	1	1	1	1
6	631630510	Pin Ø30 L=95	1	1	1	1
7	631630520	Pin Ø30 L=135	1	1	1	1
7a	690103090	Bolt M12x25	2	2	2	2
7b	690117014	Faceted disc Ø12	2	2	2	2
7c	630532600	Locking sleeve for pinhead	2	2	2	2
8	690206001	Filter plug (ventilation)3/8"	1	1	1	1
9	690203006	Fitting 90° 3/8"	1	1	1	1
10	690201060	Hydr. Hose L=3000 mm ¼" st/st	1	1	1	1
11	690203003	Fitting, straight 101/2" BSP	1	1	1	1
12	690203001	Quick-coupling E402	1	1	1	1
13	690141100	Support leg 3500kg	1	1	1	1
14	630552100	Pin Ø16	1	1	1	1
15	690133005	Split pin Ø4,5	1	1	1	1
16	630771200	Parking device for hydr. hose	1	1	1	1
17	690101080	Bolt M10x25	2	2	2	2
18	690210210	Tube support double	2	2	2	2
19	690103055	Bolt M8x65	1	1	1	1
19a	690210211	Top plate	1	1	1	1

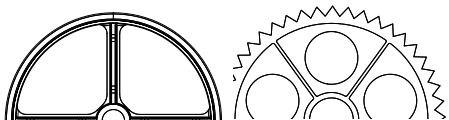
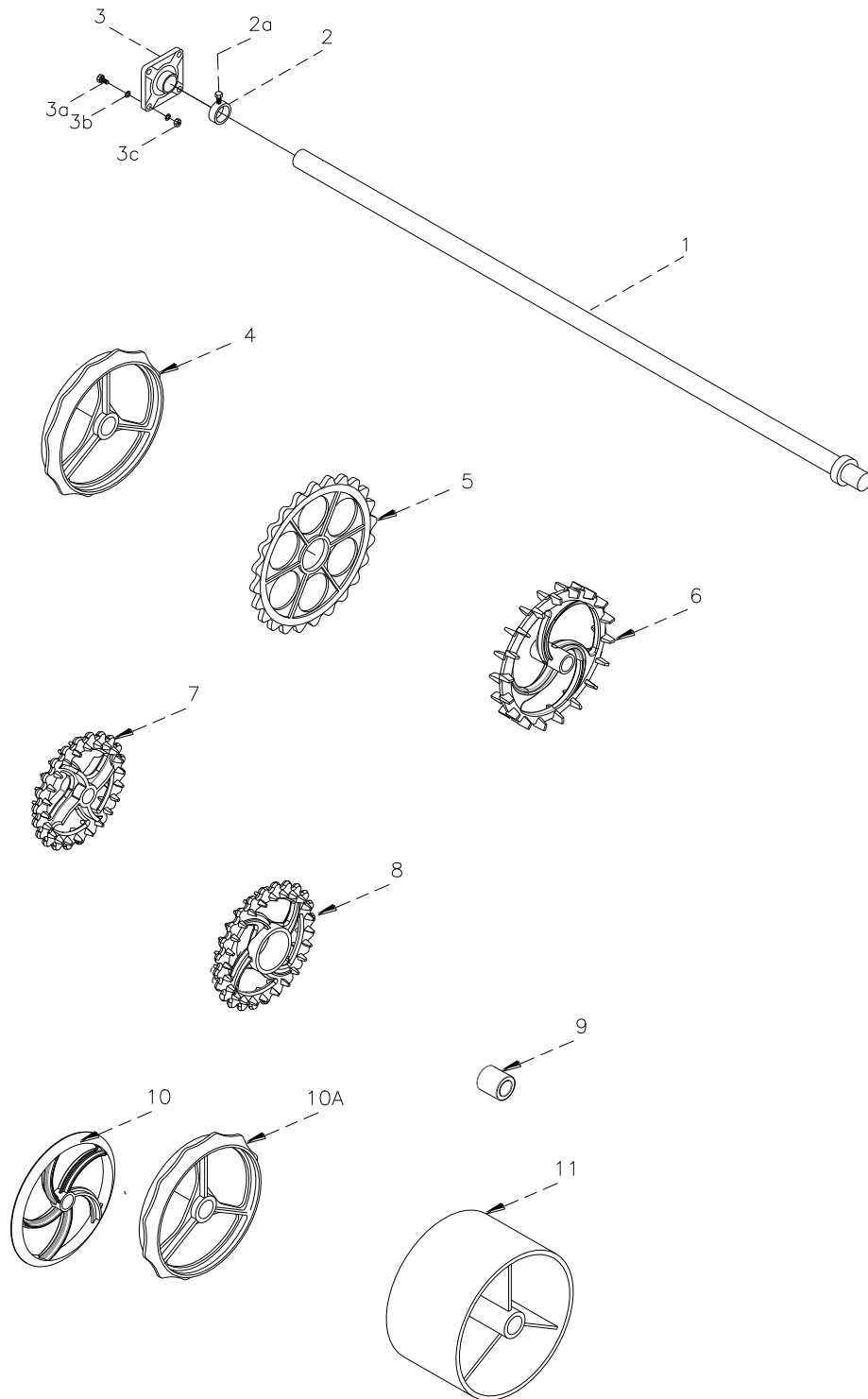
4.2 Centre Frame/Side Section



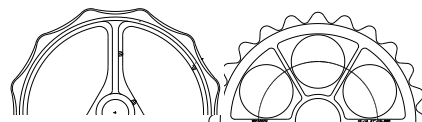
Pos	Varenummer	Betegnelsen	3,3	3,7	4,1	4,5
1	631630900	Centre frame 3.3 / 4.5m	1	1	1	1
1a	690101146	Stop bolt M16 x 50mm	1	1	1	1
1b	690112008	Lock nut M16	1	1	1	1
2	690141320	Wheel 200/60 x 14,5 – 10PR.	2	2	2	2
3	690141022	Hub 1000kg 5-102-140	2	2	2	2
3a	690141040	Hub bolt M12x1,5x36	10	10	10	10
3b	690141056	Hub nut M12x1,5	10	10	10	10
3c	690140305	Bearing 6205	2	2	2	2
3d	690140307	Bearing 6207	2	2	2	2
3e	690141076	Sealing cap	2	2	2	2
3f	690141077	Sealing ring	2	2	2	2
3g	690141036	Hub cap Ø52mm	2	2	2	2
4	690142001	Warning triangle	1	1	1	1
4a	690101024	Bolt M6x20mm w/lock nut	2	2	2	2
5	631633033	Side section, left	1			
5a	631633133	Sidesection, right	1			
5	631633037	Side section, left		1		
5a	631633137	Sidesection, right		1		
5	631633041	Side section, left			1	
5a	631633141	Sidesection, right			1	
5	631633045	Side section, left				1
5a	631633145	Sidesection, right				1
6	631630540	Rivet Ø30mm L= 630mm	2	2	2	2
6a	690101101	Bolt M12 x 25mm	2	2	2	2
6b	690117014	Faceted disc Ø12mm	2	2	2	2
6c	630532600	Lock sleeve for rivet	2	2	2	2
7	690201003	Hydr. hose L= 4550mm	2	2	2	2
8	631632200	Hydr. cylinder 60/30 x 500 (Blue)	1	1	1	1
8a	690200071	Cylinder tube 60/30 x 500	1	1	1	1
8b	690200072	Piston rod 60/30 x 500	1	1	1	1
8c	690200073	Piston 60/30	1	1	1	1
8d	690200079	Lock nut 60/30	1	1	1	1
8e	690200075	Packing box 60/30	1	1	1	1
8f	690200076	Packing seal 60/30	1	1	1	1
9	631630530	Rivet Ø30mm L= 90mm	3	3	3	3
10	690101101	Bolt M12 x 25mm	3	3	3	3
10a	690117014	Faceted disc Ø12mm	3	3	3	3

11	630532600	Lock sleeve for rivet	3	3	3	3
12	690203006	Angle joint VA10LK 3/8"	2	2	2	2
13	690203001	Quick-coupling male E402	2	2	2	2
14	690103003	Straight joint GA10LR 1/2"	2	2	2	2

4.3 Roller Block 3.3 – 4.5 m



Aggressive

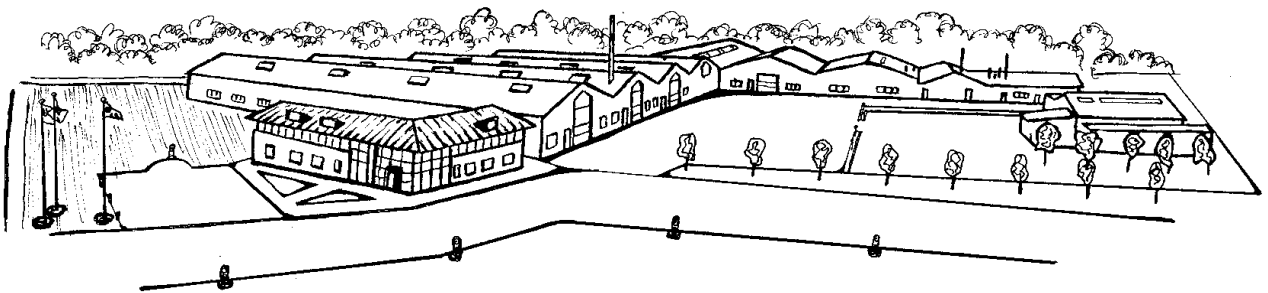


Lenient

Pos	Item No.	Designation/Dimension	3.3m	3.7m	4.1m	4.5m
1	678541736	Axle f/centre section Ø50 ST70 L=1736	1	1	1	1
1	678541136	Axle f/side section Ø50 ST70 L=1136	2	0	0	0
1	678541336	Axle f/side section Ø50 ST70 L=1336	0	2	0	0
1	678541536	Axle f/side section Ø50 ST70 L=1536	0	0	2	0
1	678541736	Axle f/side section Ø50 ST70 L=1736	0	0	0	2
1	678651736	Axle f/centre section Ø60 ST70 L=1736	1	1	1	1
1	678651136	Axle f/side section Ø60 ST70 L=1136	2	0	0	0
1	678651336	Axle f/side section Ø60 ST70 L=1336	0	2	0	0
1	678651536	Axle f/side section Ø60 ST70 L=1536	0	0	2	0
1	678651736	Axle f/side section Ø60 ST70 L=1736	0	0	0	2
2	630552300	Stop ring w/bolts	6	6	6	6
2a	690101080	Bolt M10x25	12	12	12	12
3	690140075	Ball bearing UCF209 ø45mm 4 holes	6	6	6	6
3a	690103128	Bolt M16x55 8.8	24	24	24	24
3b	690117013	Facetted disc Ø16	48	48	48	48
3c	690113008	Self locking nut M16	24	24	24	24
4	690150001	Cambridge smooth ring 15" (Ø50) Aggressive	33	37	41	45
5	690150004	Cambridge serrated ring 15" (Ø50) Aggressive	30	34	38	42
4	690150031	Cambridge smooth ring 18" (Ø50) Lenient	33	37	41	45
4	690150017	Cambridge smooth ring 18" (Ø50) Aggressive	33	37	41	45
4	690150039	Cambridge smooth ring 18" (Ø60) Lenient	33	37	41	45
5	690150033	Cambridge serrated ring 18" (Ø50) Lenient	30	34	38	42
5	690150018	Cambridge serrated ring 18" (Ø50) Aggressive	30	34	38	42
5	690150040	Cambridge serrated ring 18" (Ø60) Lenient	30	34	38	42
4	690150019	Cambridge smooth ring 21" (Ø50) Aggressive	33	37	41	45
4	690150030	Cambridge smooth ring 21" (Ø60) Lenient	33	37	41	45
4	690150024	Cambridge smooth ring 21" (Ø60) Aggressive	33	37	41	45
5	690150009	Cambridge serrated ring 21" (Ø50) Aggressive	30	34	38	42
5	690150032	Cambridge serrated ring 21" (Ø60) Lenient	30	34	38	42
5	690150025	Cambridge serrated ring 21" (Ø60) Aggressive	30	34	38	42
6	690150007	Cam ring 22" (Ø50)	22	25	28	30

Pos	Item No.	Designation/Dimension	3.3m	3.7m	4.1m	4.5m
7	690150010	Crosskill ring Ø 485 mm (Ø50)	18	20	22	24
7	690150034	Crosskill ring Ø 485 mm (Ø60)	18	20	22	24
8	690150011	Loose Crosskill ring 530 mm	15	17	19	21
9	690150012	Hub for loose Crosskill ring Ø50	15	17	19	21
9	690150035	Hub for loose Crosskill ring Ø60	15	17	19	21
10	690150013	Corrugated ring ø500 END from april 2011	66	74	82	90
10a	690150042	2D corrugated ring NEW from april 2011	41	46	51	57
11	690150028	Plain ring Ø505 (ø60)	11	12	14	15

5. Notes



The design is subject to modification without notice.