

UK

HE-VA

Operating Instructions
Spare Parts List
Declaration of Conformity

GOOD AS IT LOOKS!

AS GOOD AS IT LOOKS!

AS GOOD AS IT LOOKS!

AS GOOD AS IT LOOKS!

AS GOOD AS IT LOOKS!



Warning: Before using the machine it is important to read the operating instructions.

Weeder/Weeder HD

Working width: 3,0 - 4,5 - 6,0 - 7,5 - 9,0 - 12,0m.



N. A. Christensensvej 34
DK-7900 Nykøbing Mors
Tel: 97724288
Fax: 97722112
www.he-va.com

Contents

Declaration of Conformity	4
Delivery check	5
Machine Description.....	5
Preface.	5
Technical specifications.....	5
Responsibility of the user	6
Safety instructions for Weeder	6
Starting up	7
Introduction.....	7
Assembling / attaching the HE-VA Weeder.....	7
Starting.....	7
Spare Parts List.....	10
Weeder 3,0 and 6,0 m.	10
Weeder 4,5 and 7,5 m.	12
Weeder 9,0 m.....	14
Weeder 12,0 m.....	16
Weeder 12,0 m. side frame	18
Harrow link.....	20
Tilt link survey.....	22
Hydraulic tine adjustment.....	24
Levelling plate	26
Multi-Seeder equipment	28
Universal-spreader bracket	30
Hydraulic.....	32
Tine adjustment	32
Note	34

DS/EN 45 014

Declaration of Conformity

HE-VA ApS
N. A. Christensensvej 34,
DK-7900 Nykøbing Mors

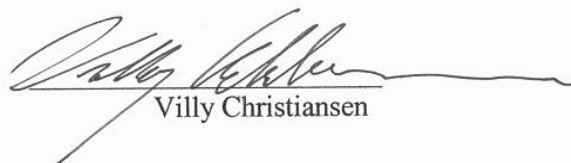
declares under sole responsibility that the product:

Weeder

No. : _____

to which this declaration relates,
is in conformity with the provisions of

98/37/EF (Machinery) directive with later amendments.

A handwritten signature in black ink, which appears to read "Villy Christiansen", is written over a horizontal line. Below the line, the name "Villy Christiansen" is printed in a standard font.

Nykøbing Mors, September 15, 2010

Delivery check

Upon delivery to the dealer/supplier as well as to the customer, check the Weeder for possible damages.

Machine Description

Preface.

Weeder/Weeder HD is available in 5 different models with working widths of 3.0 m, 4.5 m, 6.0 m, 7.5 m, 9.0 m or 12.0m. Weeder/Weeder HD is designed for weeding in grain, rape, beets, and potatoes and for grassland aeration. Constructed with 1.5 m wide free-floating harrow sections, all Weeder adapts perfectly to all landscapes. Each section has 5 rows of double tines and with a tine spacing of 2.5 cm. The working angle of the tines is adjusted easily in 5 positions – with one handle for each section. As extra equipment, hydraulically adjustable tine aggressiveness can be supplied, making it possible to adjust the aggressiveness of the tine angle during work. As standard Weeder is mounted with Ø7 mm x 600 mm double tines suitable for row sowing. However, for hard and clayish soil a Ø7 mm x 450 mm double tine is available. Weeder HD is as standard mounted with Ø7 x 600 mm double tines or Ø9 x 600 mm double tines. You can also have Ø9 x 600 mm double tines on the 2 front rows and Ø7 x 600 mm double tines on the 3 back rows. The tine replacement is quick and easy without tools. Weeder/Weeder HD is standard-mounted with spindle infinitely adjustable wheels.

Leveling plate for effective leveling of molehills or cow pats can be mounted as extra equipment as well as factory- mounting of Multi-Seeder.

HE-VA reserves the right to make any alterations.

Technical specifications.

Working width	3.0 m.	4.5 m.	6.0 m.	7.5 m.	9.0 m.	12.0 m.
Number of tines	120 pcs.	180 pcs.	240 pcs.	300 pcs.	360 pcs.	480 pcs.
Number of sections	2 pcs.	3 pcs.	4 pcs.	5 pcs.	6 pcs.	8 pcs.
Number of wheels	2 pcs.	2 pcs.	2 pcs.	4 pcs.	4 pcs.	4 pcs.
Horsepower required	30 hp.	40 hp.	50 hp.	60 hp.	70 hp.	90 hp.
Lifting requirement	750 kg.	825 kg.	975 kg.	1200 kg.	1650 kg.	2250 kg.
Weight	500 kg.	550 kg.	650 kg.	800 kg.	1100 kg.	1500 kg.
Height folded	1,10 m.	2,00 m.	2,50 m.	3,40 m.	3,95 m.	3,35 m.

Responsibility of the user

The user is responsible that the operator has the needed competence. Since HE-VA cannot control the use of the harrow, we can only guarantee the quality of the machine, and cannot accept any kind of claims for compensation in connection with the work of the machine.

Any kind of injury caused by staying in dangerous areas will always be the responsibility of the user.

The user is responsible that the machine is legal during transport on public roads. Please pay attention to: lights, weight, transport width, disposition of weight on the tractor (extra front weight might be necessary).

The user is responsible for frequent control and tightening of all bolts and nut.

Safety instructions for Weeder

The machine must not be started if exposed persons** are inside a dangerous area*.

When persons are in dangerous areas (by e.g. adjustment, maintenance, connecting and disconnecting) following points must be fulfilled:

1. The machine must be lowered to solid foundation.
2. The hydraulic must be relieved.
3. The tractor must be stopped and the key must be removed from the ignition.

The operator must ensure that during work no exposed persons are inside a dangerous area.

* Dangerous area: Every area on the machine and within a distance of 3m. from the machine.

** Exposed person: All persons who are in a dangerous area.

Starting up

Introduction

The following is a brief guide to the assembly and use of your Weeder. The Weeder is specially constructed for weeding in cereals, beans, corn, potatoes etc. And also for easy tillage work on ploughed land and for treatment of grassfields.

Assembling / attaching the HE-VA Weeder

See page 8.

Starting

- **Folding down side frames.**

When the hydraulic hoses are mounted in the double-acting hydraulic oil outlet on the tractor, the hydraulic cylinder has to be filled with oil, to relieve the pressure on the security chains, then you can dismount the chains and lower the side frames. Remember to lift the harrow before the side frames are folded down. Be sure that there aren't any persons inside the dangerous area.

- **Folding up side frames.**

Lift the harrow from the ground.

The weeder tines has to be located in position 1 or 2 (see fig. 7) before folding up side frames, when side frames has been folded up security chains are mounted.

- **The correct adjustment.**

The correct adjustment of the Weeder will be decisive for the result of the work done. This is best achieved by means of a trial run.

Fig. 1



Quick-coupling on the 6,0 and 7,5 m.

Fig. 2



Attachment plates on 9,0 and 12,0 m.

- **Angle.**
The angle of the weeder tines is adjusted by means of the handle on the harrow frame. Heavy soil requires aggressive adjustment of the tines.
- **The harrow frames has to be horizontal.**
During work this is being adjusted by means of the spindles for the bearing wheels. (See fig. 6).
- **Adjusting side frames.**

When the harrow is lifted, the side frames should hang a little otherwise you have to adjust the stop screws. (See fig. 4).

- **Info:**

Speed: The best speed is 3-10 mph

Maintenance: Important! Tighten all bolts and after a few hours use. Further tightening should be carried out at regular intervals

Lubrication: Spindle regulators, bearings for harrow sections and bearings for side sections.

Storage: Clean the harrow. Raise the harrow section free of the ground so that the weight of the harrow is taken by the wheels and the supporting jack.

Fig. 3



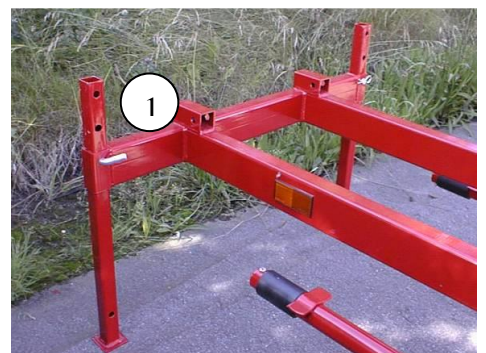
Security chain for side frames.

Fig. 4



Adjustable stop for side frames.

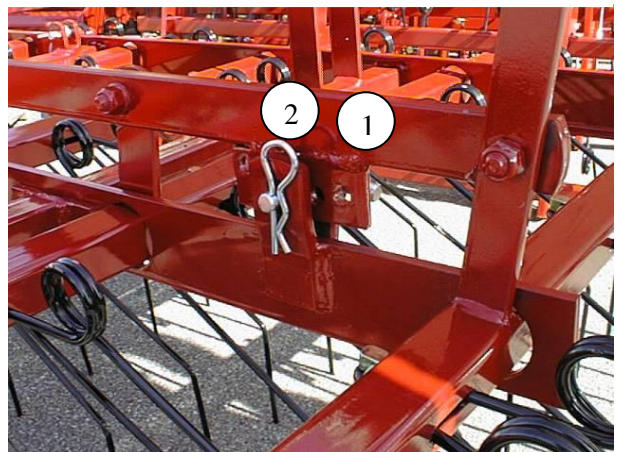
Fig. 5



The support jacks are placed in the tubes (1), before the side frames are folded down.

Fig. 6

The support wheels have to be adjusted, so that the harrow frames are horizontal during work. Remember to lock the spindle.

Fig. 7

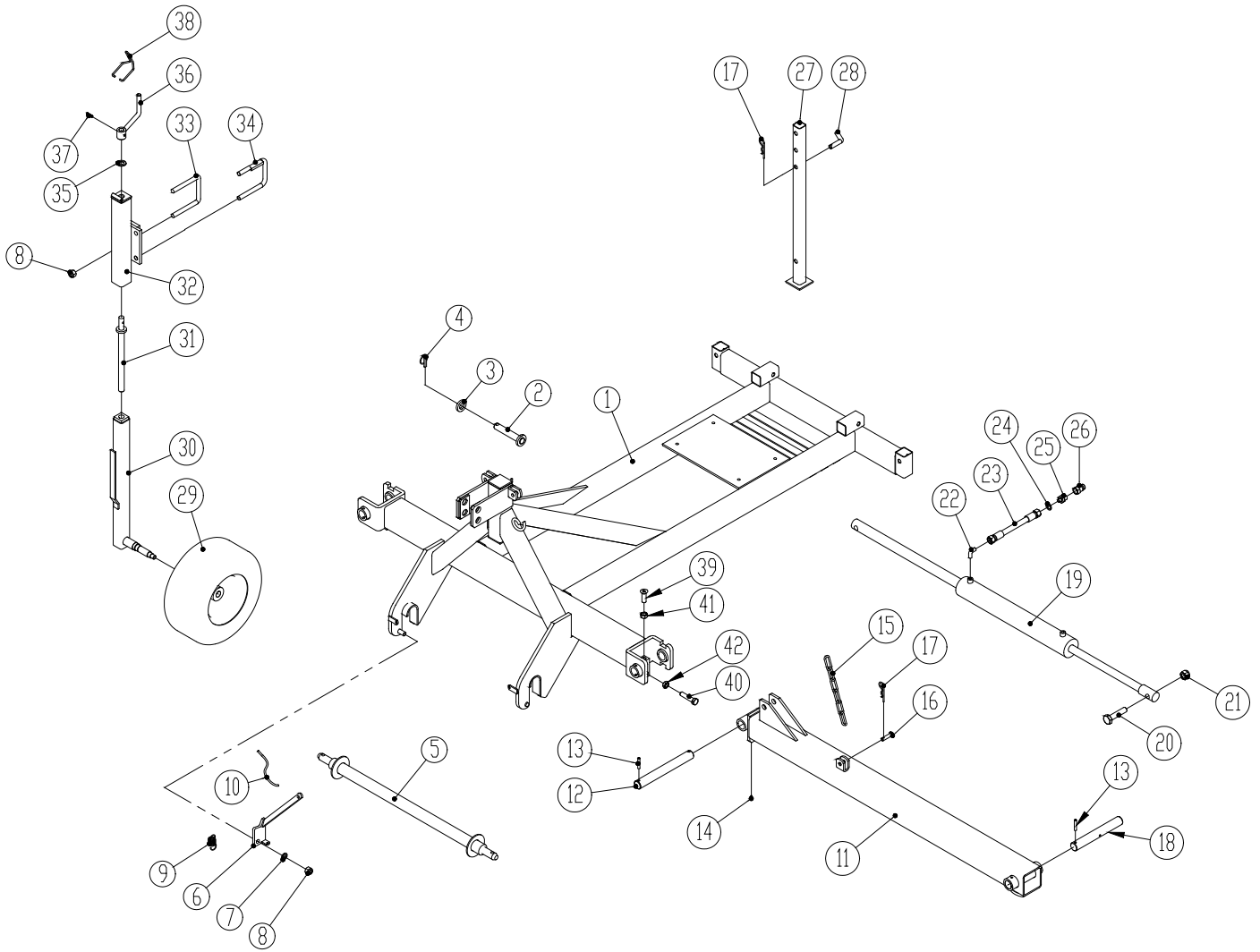
Adjustment of the tines (angle).

Fig. 8

The tines are easily dismantled/mounted by means of a ring split.

Spare Parts List

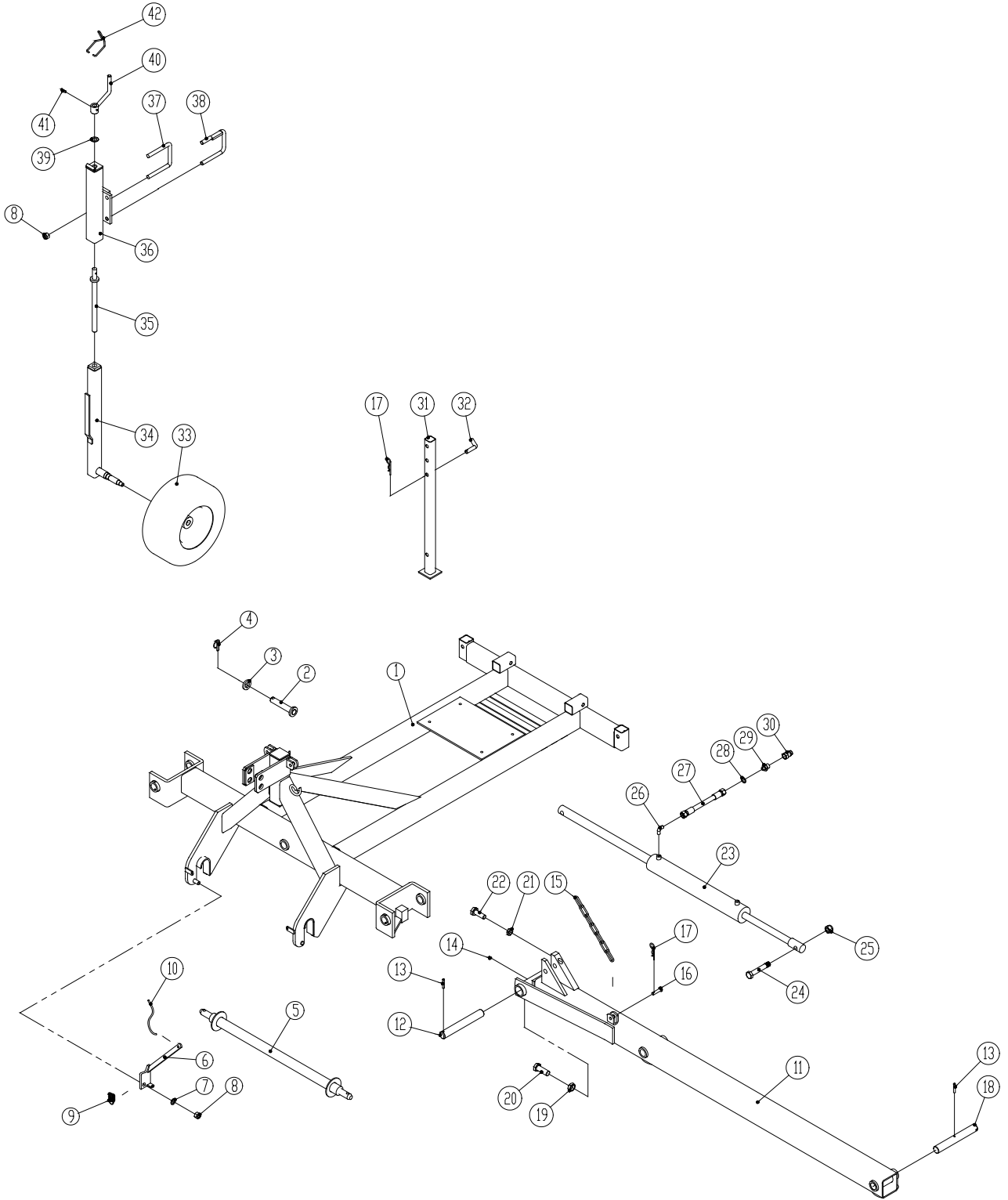
Weeder 3,0 and 6,0 m.



Pos.	Part No.	Description	3,0	6,0
1	1100001	Frame	1	1
2	1068890	Spike Ø25x135mm.	1	1
3	1044600	Disc Ø26x8mm.	1	1
4	0378600	Ring split Ø11x40mm.	1	1
5	1011860	Drawbar	1	1
6	1012180	Locking pawl, left	1	1
	1012190	Locking pawl, right	1	1
7	0272290	Disc Ø16	2	2
8	0264090	Lock nut M16	10	10
9	0431600	Spring Ø2x16x30	2	2
10	0486250	Rope Ø6x4m.	1	1
11	1100180	Side frame 6,0 m, left	1	1
	1100190	Side frame 6,0m, right	1	1
12	1101800	Axle Ø35x295mm.	2	2
13	0371700	Retaining pin Ø8x50mm.	4	4
14	0432100	Lubricator nipple M6	2	2
15	1101750	Chain	2	2
16	1011520	Spike Ø12x50mm.	4	4
17	0377400	Retaining pin Ø4	6	6
18	1100220	Axle Ø35x255mm. (to machine no 29513)		2
	1103474	Axle Ø35x279mm (from machine no 29514)		2
19	0462201	Hydraulic cylinder Ø80/70x30 – length of stroke: 460mm.		1
20	0236180	Hexagon bolt M20x90mm. 8.8		2
21	0264110	Lock nut M20		2
22	0446130	Fitting, 90angle ¼” conic x 1		2
23	0454500	Hose 1600mm. ¼”		2
24	0449070	Bounded seal ½”		2
25	0444490	Hexagon nipple ½” – ¼”		2
26	0444020	Quick-coupling ½” – male		2
27	1100170	Stay rod	2	2
28	1027060	Spike Ø16x56mm.	2	2
29	0394100	Complete wheel 16x6,5x8 6 PLY (Weeder)	2	2
	0394100	Complete wheel 16x6,5x8 6 PLY (Weeder HD)	2	
	0394200	Complete wheel 18,5x8,5x8 6 PLY (Weeder HD)		2
30	1100360	Spindle tube 50x50, left	1	1
	1100540	Spindle tube 50x50, right (Weeder)	1	1
	1100360	Spindle tube 50x50, left (Weeder HD)	1	
	1100540	Spindle tube 50x50, right (Weeder HD)	1	
	1102290	Spindle tube 70x70, left (Weeder HD)		1
	1102300	Spindle tube 70x70, right (Weeder HD)		1
31	1080520	Spindle M22x350mm.	2	2
32	1100331	Spindle tube 60x60 (Weeder)	2	2
	1100331	Spindle tube 60x60 (Weeder HD)	2	
	1102315	Spindle tube 80x80 (Weeder HD)		2
33	0382160	U-bolt M16 100x100	3	3
34	1103220	U-bolt M16 100x100 with flat piece	1	1
35	0272310	Disc Ø20	2	2
36	1036260	Handle	2	2
37	0371660	Retaining pin Ø8x32mm.	2	2
38	0431980	Locking bracket Ø5	2	2

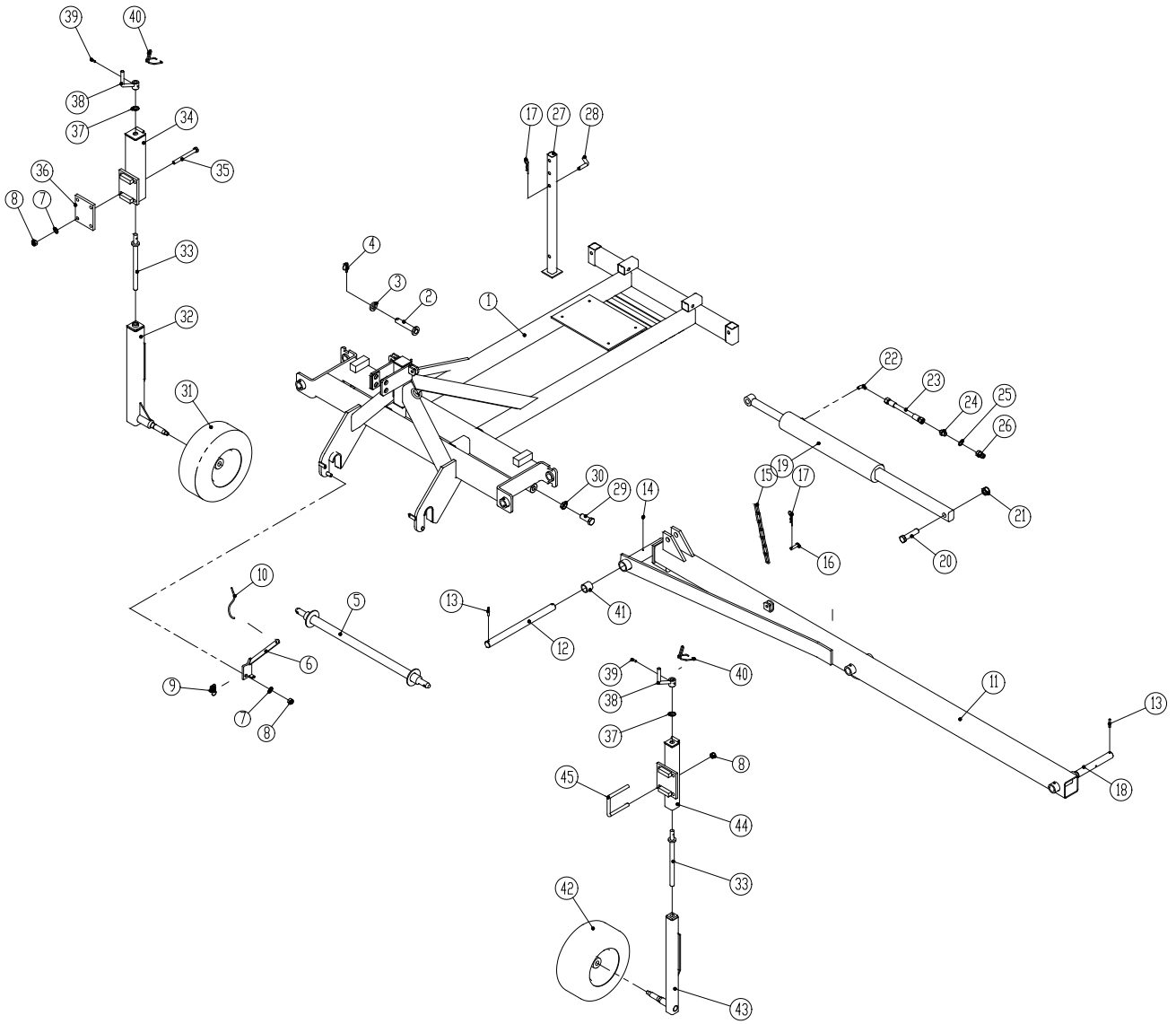
39	0227600	Hex/ allen bolt M16x40mm	2	2
40	0235860	Bolt M16x70mm	2	2
41	0261390	Nut M16	2	2
42	0261392	Counter nut M16	2	2

Weeder 4,5 and 7,5 m.



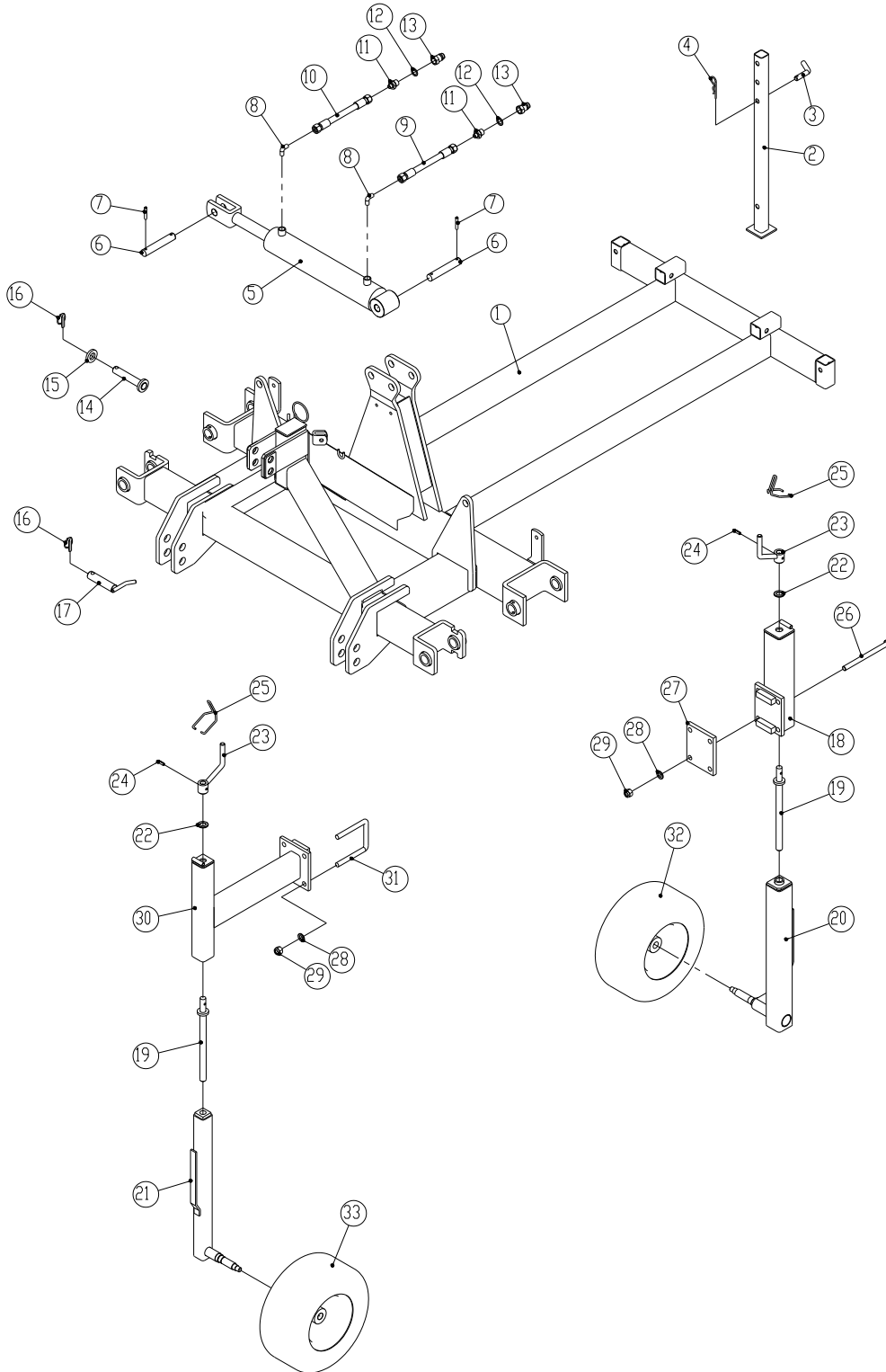
Pos.	Part No.	Description	4,5	7,5
1	1100841	Frame	1	1
2	1068890	Spike Ø25x135mm.	1	1
3	1044600	Disc Ø26x8mm.	1	1
4	0378600	Ring split Ø11x40mm.	1	1
5	1011860	Drawbar	1	1
6	1012180	Locking pawl, left	1	1
	1012190	Locking pawl, right	1	1
7	0272290	Disc Ø16	2	2
8	0264090	Lock nut M16	10	18
9	0431600	Spring Ø2x16x30	2	2
10	0486250	Rope Ø6x4m.	1	1
11	1102211	Side frame, left – 4,5m.	1	
	1102221	Side frame, right – 4,5m.	1	
	1100861	Side frame, left – 7,5m.		1
	1100871	Side frame, right – 7,5m.		1
12	1102420	Axle Ø35x270mm.	2	2
13	0371700	Retaining pin Ø8x50mm.	4	4
14	0432100	Lubricator nipple M6	2	2
15	1101750	Chain	2	2
16	1011520	Spike Ø12x50mm.	4	4
17	0377400	Retaining pin Ø4	6	6
18	1100220	Axle Ø35x255mm (to machine no 29513)	2	4
		Axle Ø35x279mm.. (from machine no 29514)	2	4
19	0261430	Counter nut M24x3,0mm.		2
20	0236360	Hexagon bolt M24x65mm. 8.8		2
21	0261411	Counter nut M20x3,0mm.		2
22	0236130	Hexagon bolt M20x60mm. 8.8		2
23	0462201	Hydraulic cylinder Ø80/70x30 – length of stroke : 460mm.	1	1
24	0236210	Hexagon bolt M20x120mm. 8.8	2	2
25	0264110	Lock nut M20	2	2
26	0446130	Fitting, 90angle ¼” conic x 1	2	2
27	0454500	Hose 1600mm. ¼”	2	2
28	0449070	Bounded seal ½”	2	2
29	0444490	Hexagon nipple ½” – ¼”	2	2
30	0444020	Quick-coupling ½” – male	2	2
31	1100170	Stay rod	2	2
32	1027060	Spike Ø16x56mm.	2	2
33	0394100	Complete wheel 16x6,5x8 6 PLY (Weeder)	2	4
	0394100	Complete wheel 16x6,5x8 6 PLY (Weeder HD)		2
	0394200	Complete wheel 18,5x8,5x8 6 PL (Weeder HD)	2	2
34	1100360	Spindle tube 50x50, left (Weeder)	1	2
	1100540	Spindle tube 50x50, right (Weeder)	1	2
	1100360	Spindle tube 50x50, left (Weeder HD)		1
	1100540	Spindle tube 50x50, right (Weeder HD)		1
	1102290	Spindle tube 70x70, left (Weeder HD)	1	1
	1102300	Spindle tube 70x70, right (Weeder HD)	1	1
35	1080520	Spindle M22x350mm.	2	4
36	1100331	Spindle tube 60x60 (Weeder)	2	4
	1100331	Spindle tube 60x60 (Weeder HD)		2
	1102315	Spindle tube 80x80 (Weeder HD)	2	2
37	0382160	U-bolt M16 100x100	3	7
38	1103220	U-bolt M16 100x100 with flat piece	1	1
39	0272310	Disc Ø20	2	4
40	1036260	Handle	2	4
41	0371660	Retaining pin Ø8x32mm.	2	4
42	0431980	Locking bracket Ø5	2	4

Weeder 9,0 m.



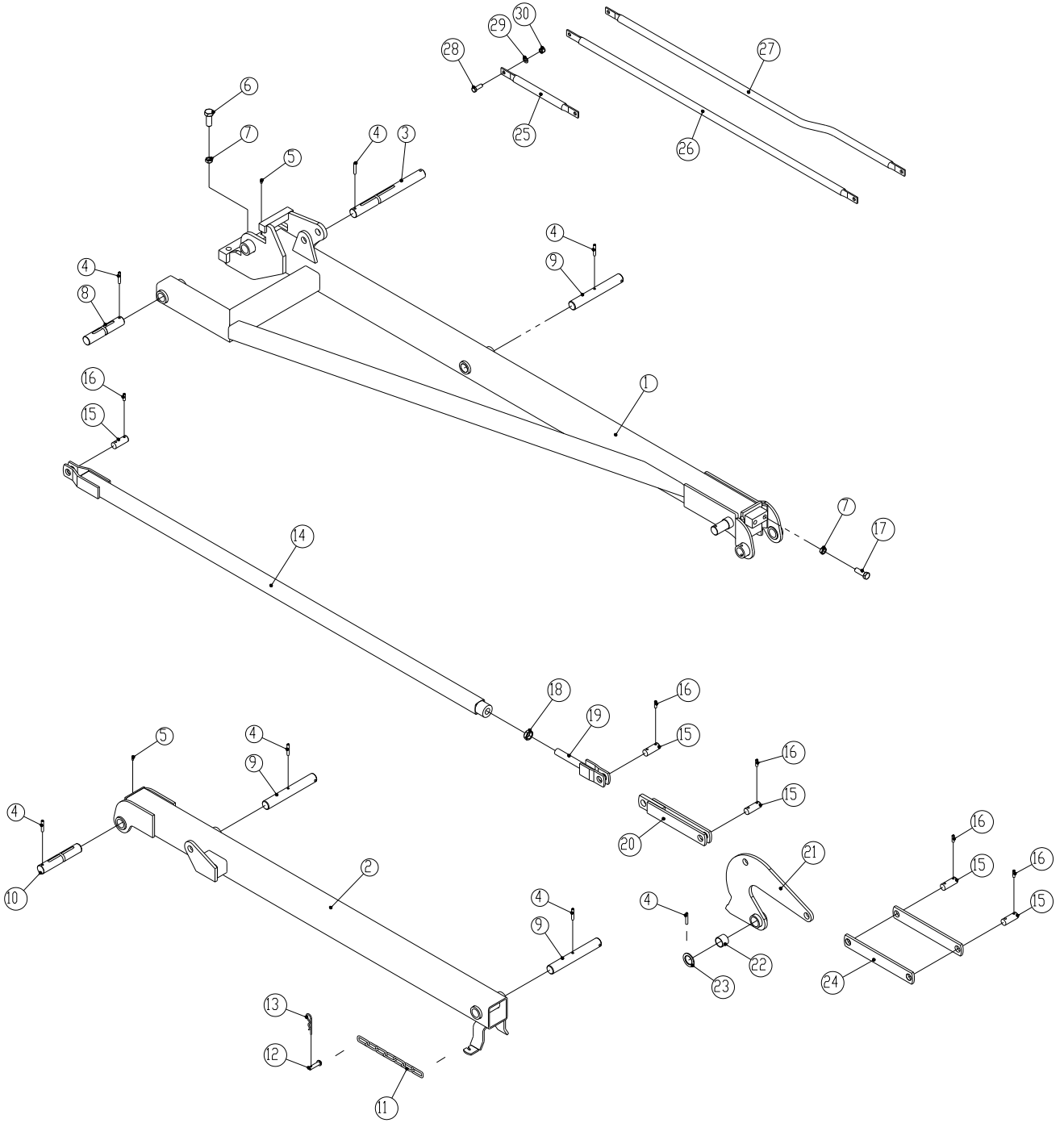
Pos.	Part No.	Description	Number
1	1100911	Frame	1
2	1068890	Spike Ø25x135mm.	1
3	1044600	Disc Ø26x8mm.	1
4	0378600	Ring split Ø11x40mm.	1
5	1011860	Drawbar	1
6	1012180	Locking pawl, left	1
	1012190	Locking pawl, right	1
7	0272290	Disc Ø16	18
8	0264090	Lock nut M16	18
9	0431600	Spring Ø2x16x30	2
10	0486250	Rope Ø6x4m.	1
11	1100921	Side frame, left	1
	1100930	Side frame, right	1
12	1102080	Axle Ø35x488mm.	2
13	0371700	Retaining pin Ø8x50mm.	6
14	0432100	Lubricator nipple M6	2
15	1101660	Chain	2
16	1011520	Spike Ø12x50mm.	4
17	0377400	Retaining pin Ø4	6
18	1100220	Axle Ø35x255mm (to machine no 29513)	4
	1103474	Axle Ø35x279mm.. (from machine no 29514)	4
19	1102230	Hydraulic cylinder 100x40 – length of stroke : 520mm.	1
20	0236410	Hexagon bolt M24x100mm. 8.8	2
21	0264130	Lock nut M24	2
22	0446130	Fitting, 90angle ¼” conic x 1	2
23	0454500	Hose 1600mm. ¼”	2
24	0449070	Bounded seal ½”	2
25	0444490	Hexagon nipple ½” – ¼”	2
26	0444020	Quick-coupling ½” – male	2
27	1100170	Stay rod	2
28	1027060	Spike Ø16x56mm.	2
29	0236360	Hexagon bolt M24x65mm. 8.8	2
30	0261430	Counter nut M24x3,0mm.	2
31	0394200	Complete wheel 18,5x8,5x8 6 PLY (Weeder og Weeder HD)	2
32	1102290	Spindle tube 70x70, left (Weeder og Weeder HD)	1
	1102300	Spindle tube 70x70, right (Weeder og Weeder HD)	1
33	1080520	Spindle M22x350mm.	4
34	1102315	Spindle tube 80x80 (Weeder og Weeder HD)	2
39	0235950	Hexagon bolt M16x150mm. 8.8	8
36	1100390	Clamp	2
37	0272310	Disc Ø20	4
38	1036260	Handle	4
39	0371660	Retaining pin Ø8x32mm.	4
40	0431980	Locking bracket Ø5	4
41	0475310	Sliding shell EG Ø45/Ø35x40mm.	4
42	0394100	Complete wheel 16x6,5x8 6 PLY (Weeder og Weeder HD)	2
43	1100360	Spindle tube 50x50, left (Weeder og Weeder HD)	1
	1100540	Spindle tube 50x50, right (Weeder og Weeder HD)	1
44	1100331	Spindle tube 60x60 (Weeder og Weeder HD)	2
45	0382160	U-bolt M16 100x100	4

Weeder 12,0 m.



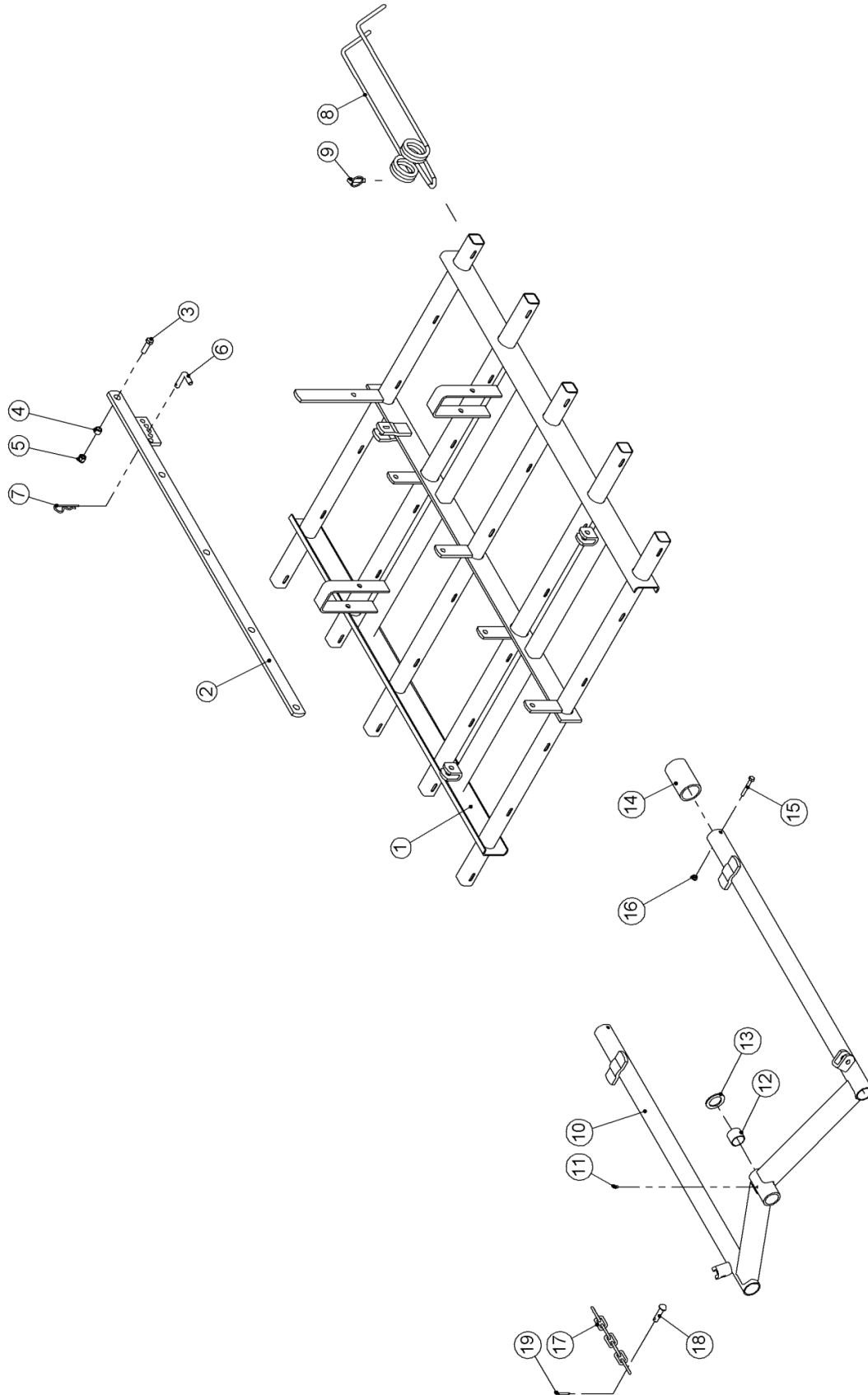
Pos.	Part No.	Description	Number
1	1100950	Frame	1
2	1100170	Stay rod	2
3	1027060	Spike Ø16x56mm.	2
4	0377400	Retaining pin Ø4	2
5	0462900	Hydraulic cylinder Ø80/40 – length of stroke: 380mm.	2
6	1051120	Spike Ø25x145mm.	2
	1051110	Spike Ø25x125mm.	2
7	0371700	Retaining pin Ø8x50mm.	4
8	0446120	Fitting, 90angle 3/8" conic x 1	2
9	0454520	Hose 1600mm. 3/8"	2
10	0454580	Hose 2000mm. 3/8"	2
11	0444490	Hexagon nipple 1/2" – 1/4"	2
12	0449070	Bounded seal 1/2"	2
13	0444020	Quick-coupling 1/2" – male	2
14	1068890	Spike Ø25x135mm.	1
15	1044600	Disc Ø26x8mm.	1
16	0378600	Ring split Ø11x40	3
17	1055460	Spike Ø28x120mm.	2
18	1102310	Spindle tube 80x80 (Weeder + Weeder HD)	2
19	1080520	Spindle M22x350mm.	4
20	1102290	Spindle tube 70x70, left (Weeder)	1
	1102300	Spindle tube 70x70, right (Weeder)	1
	1102290	Spindle tube 70x70, left (Weeder HD)	2
	1102300	Spindle tube 70x70, right (Weeder HD)	2
21	1100360	Spindle tube 50x50, left (Weeder)	1
	1100540	Spindle tube 50x50, right (Weeder)	1
22	0272310	Disc Ø20	4
23	1036260	Handle	4
24	0371660	Retaining pin Ø8x32mm.	4
25	0431980	Locking bracket Ø5	4
26	0235950	Hexagon bolt M16x150mm. 8.8	8
27	1102360	Clamp	2
28	0272290	Disc Ø16	16
29	0264090	Lock nut M16	16
30	1101681	Spindle tube 60x60 (Weeder)	2
		Spindle tube 80x80 (Weeder HD)	2
31	0382160	U-bolt M16 100x100	4
32	0394200	Complete wheel 18,5x8,5x8 6 PLY (Weeder+Weeder HD)	2
33	0394100	Complete wheel 16x6,5x8 6 PLY (Weeder)	2
	0394200	Complete wheel 18,5x8,5x8 6 PLY (Weeder HD)	2

Weeder 12,0 m. side frame



Pos.	Part No.	Description	Number
1	1101170	Inner side frame, left	1
	1101180	Inner side frame, right	1
2	1101360	Outer side frame, left	1
	1101370	Outer side frame, right	1
3	1101700	Spike Ø35x365mm.	2
4	0371700	Retaining pin Ø8x50mm.	14
5	0432100	Lubricator nipple M6	4
6	0236110	Hexagon bolt M20x50mm. 8.8	4
7	0261392	Counter nut M16x2,0mm.	8
8	1101730	Spike Ø35x185mm.	2
9	1100220	Spike Ø35x255mm. (to machine no 29513)	6
	1103474	Spike Ø35x279mm. (from machine no 29514)	6
10	1101640	Spike Ø35x200mm.	2
11	1101660	Chain	2
12	1011520	Spike Ø12x50mm.	4
13	0377400	Retaining pin Ø4	4
14	1101510	Stay	2
15	1101620	Spike Ø25x65mm.	10
16	0371700	Retaining pin Ø8x50mm.	20
17	0235810	Hexagon bolt M16x50mm. 8.8	4
18	0261430	Counter nut M24x3,0mm.	2
19	1101550	Stay bracket	2
20	1101580	Stay link	2
21	1101480	Locking claw	2
22	0475090	Sliding shell Ø35/39/30	2
23	0272500	Disc Ø55/36,5x3mm.	2
24	1101610	Stay bracket	4
25	1101650	Stay, short	2
26	1101710	Stay	2
27	1101720	Offset stay	2
28	0235350	Hexagon bolt M12x35mm. 8.8	6
29	0272270	Disc Ø12	18
30	0264070	Lock nut M12	6

Harrow link



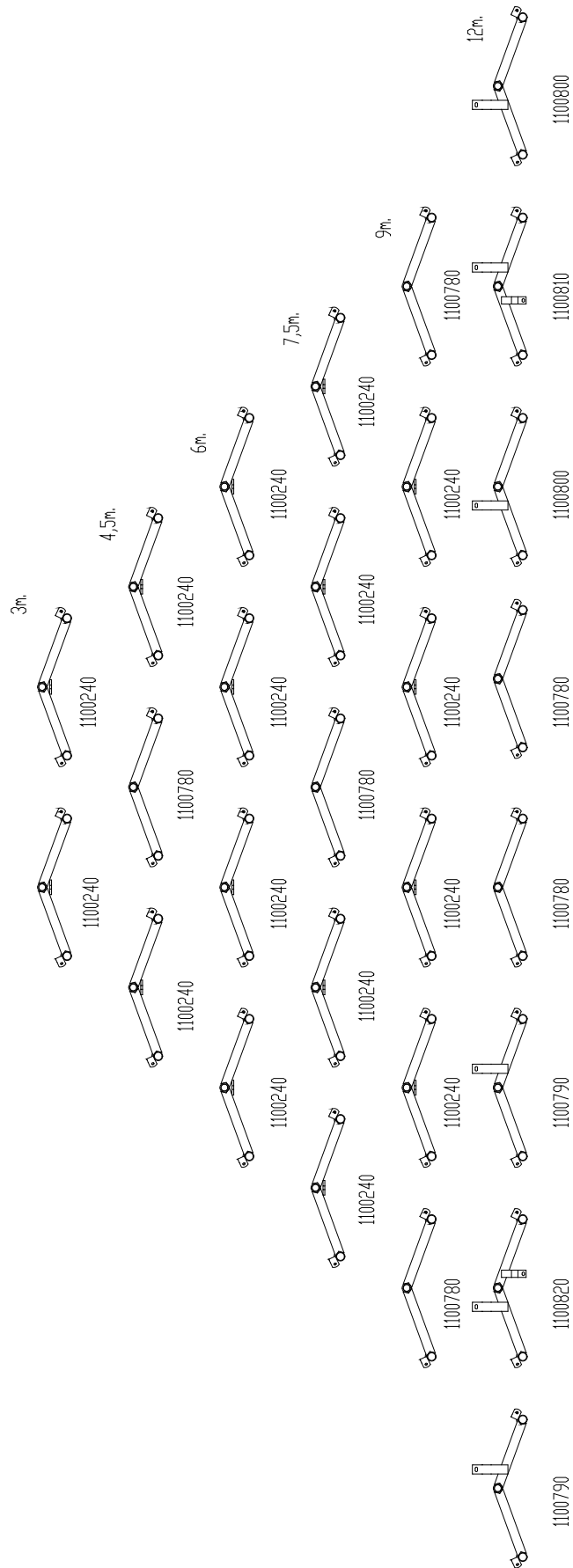
Weeder

Pos.	Part No.	Description	3,0	4,5	6,0	7,5	9,0	12,0
1	1101880	Harrow link	2	3	4	5	6	8
2	1100670	Adjusting rod	2	3	4	5	6	8
3	0235360	Hexagon bolt M12x40mm. 8.8	10	15	20	25	30	40
4	1012000	Distance bush Ø18xØ13x13mm.	10	15	20	25	30	40
5	0264070	Lock nut M12	10	15	20	25	30	40
6	1100490	Spike Ø12x95mm.	2	3	4	5	6	8
7	0377400	Retaining pin Ø4	2	3	4	5	6	8
8	0426690	Tine, Ø7x450mm.	60	90	120	150	180	240
	0426700	Tine, Ø7x600mm.	60	90	120	150	180	240
9	0378600	Ring split Ø11x40mm.	60	90	120	150	180	240
10	-	See page 22	-	-	-	-	-	-
11	0432100	Lubricator nipple M6	2	3	4	5	6	8
12	0475090	Sliding shell Ø35xØ39x30mm.	4	6	8	10	12	16
13	0272500	Disc Ø55xØ36,5x3mm.	2	3	4	5	6	8
14	1101740	Plastic pipe Ø63x5,8x100mm.	4	6	8	10	12	16
15	0234830	Hexagon bolt M8x60mm. 8.8	4	6	8	10	12	16
16	0264050	Luck nut M8	4	6	8	10	12	16
17	1101761	Chain, 7 link	4	6	8	10	12	16
18	1011520	Spike Ø12x50mm.	8	12	16	20	24	32
19	0373310	Split pin Ø5x32mm.	8	12	16	20	24	32

Weeder HD

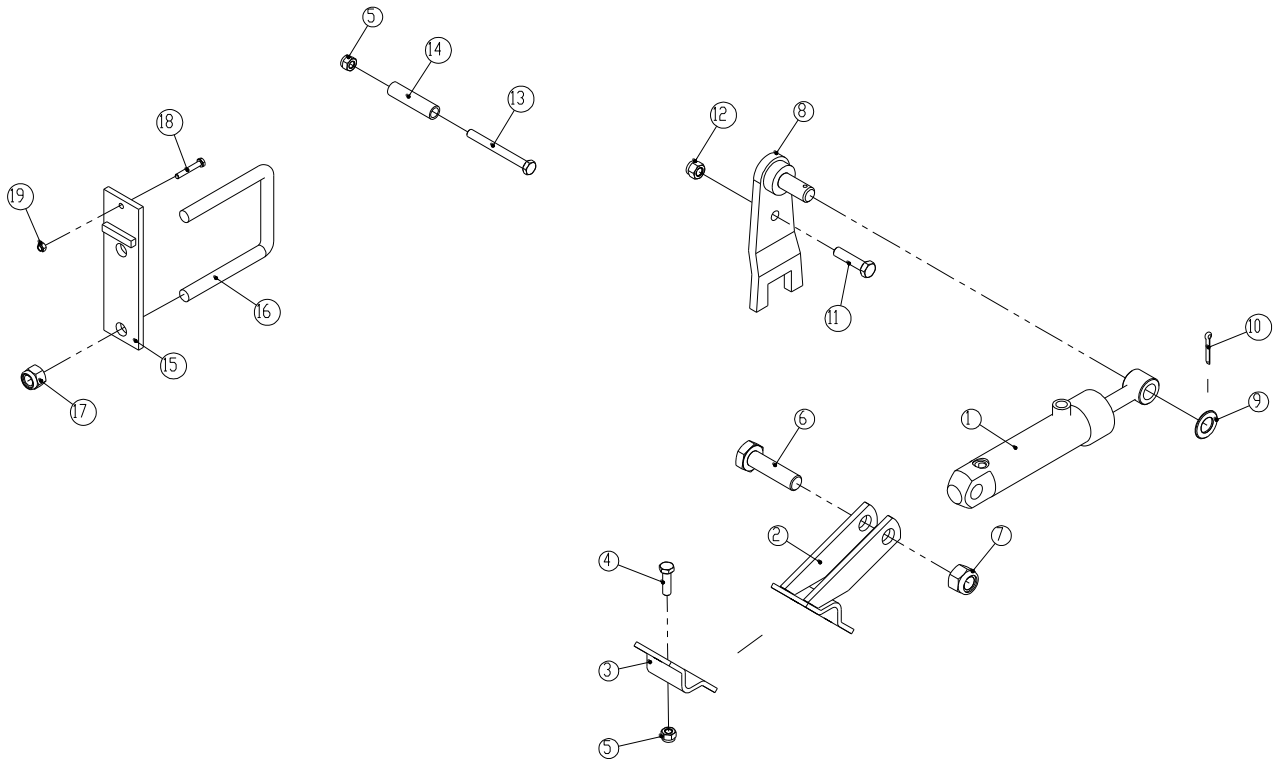
Pos.	Part No.	Description	3,0	4,5	6,0	7,5	9,0	12,0
1	1103476	Harrow link	2	3	4	5	6	8
2	1100670	Adjusting rod	2	3	4	5	6	8
3	0235360	Hexagon bolt M12x40mm. 8.8	10	15	20	25	30	40
4	1012000	Distance bush Ø18xØ13x13mm.	10	15	20	25	30	40
5	0264070	Lock nut M12	10	15	20	25	30	40
6	1100490	Spike Ø12x95mm.	2	3	4	5	6	8
7	0377400	Retaining pin Ø4	2	3	4	5	6	8
8	0426700	Tine, Ø7x600mm.	60	90	120	150	180	240
	0426701	Tine, Ø9x600mm.	60	90	120	150	180	240
	0426701	Tand, Ø9x600mm.	24	36	48	60	72	96
	0426700	Tand, Ø7x600mm.	36	54	72	90	108	144
9	0378600	Ring split Ø11x40mm.	60	90	120	150	180	240
10	-	See page 22	-	-	-	-	-	-
11	0432100	Lubricator nipple M6	2	3	4	5	6	8
12	0475090	Sliding shell Ø35xØ39x30mm.	4	6	8	10	12	16
13	0272500	Disc Ø55xØ36,5x3mm.	2	3	4	5	6	8
14	1101740	Plastic pipe Ø63x5,8x100mm.	4	6	8	10	12	16
15	0234830	Hexagon bolt M8x60mm. 8.8	4	6	8	10	12	16
16	0264050	Luck nut M8	4	6	8	10	12	16
17	1101761	Chain, 7 link	4	6	8	10	12	16
18	1011520	Spike Ø12x50mm.	8	12	16	20	24	32
19	0373310	Split pin Ø5x32mm.	8	12	16	20	24	32

Tilt link survey



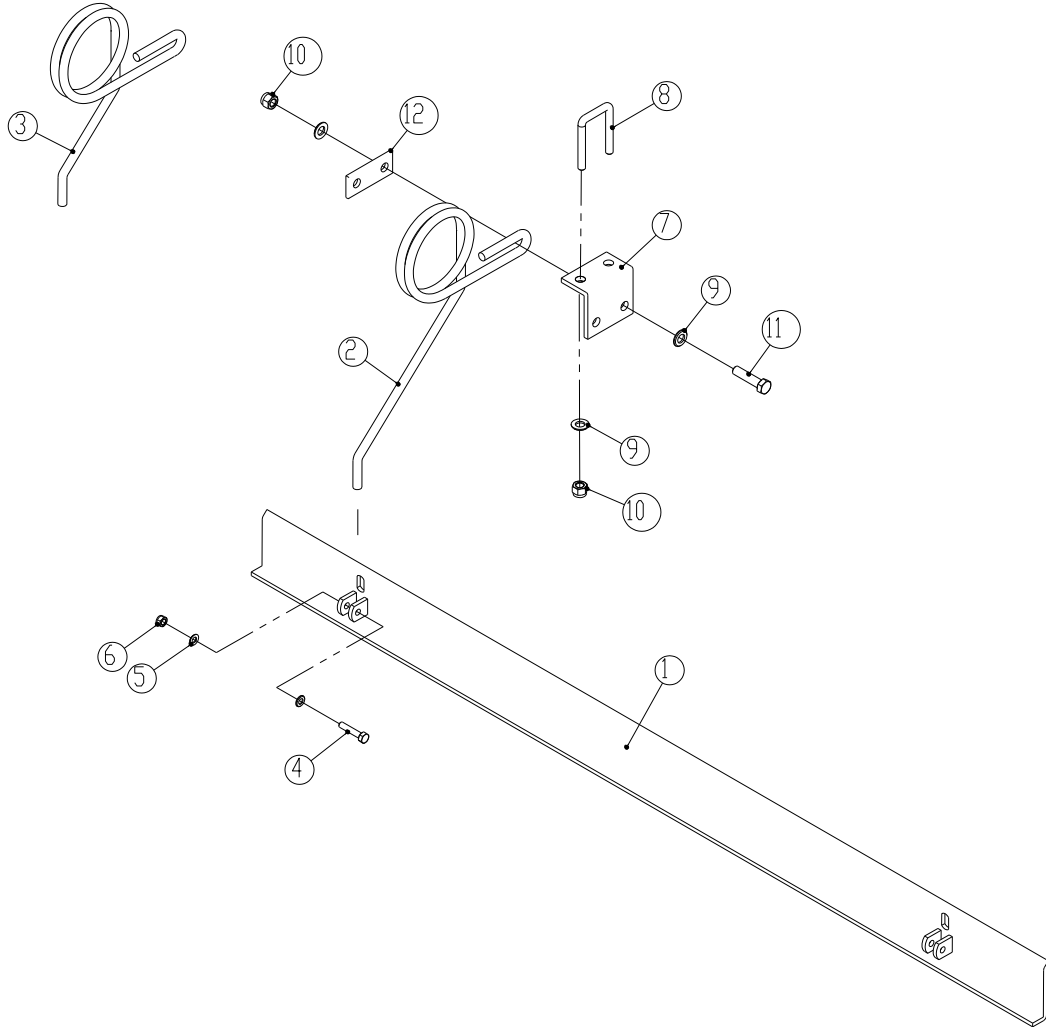
Part No.	Description	3,0	4,5	6,0	7,5	9,0	12,0
1100240	Tilt link	2	2	4	4	4	
1100780	Tilt link		1		1	2	2
1100790	Tilt link						2
1100800	Tilt link						2
1100810	Tilt link						1
1100820	Tilt link						1

Hydraulic tine adjustment



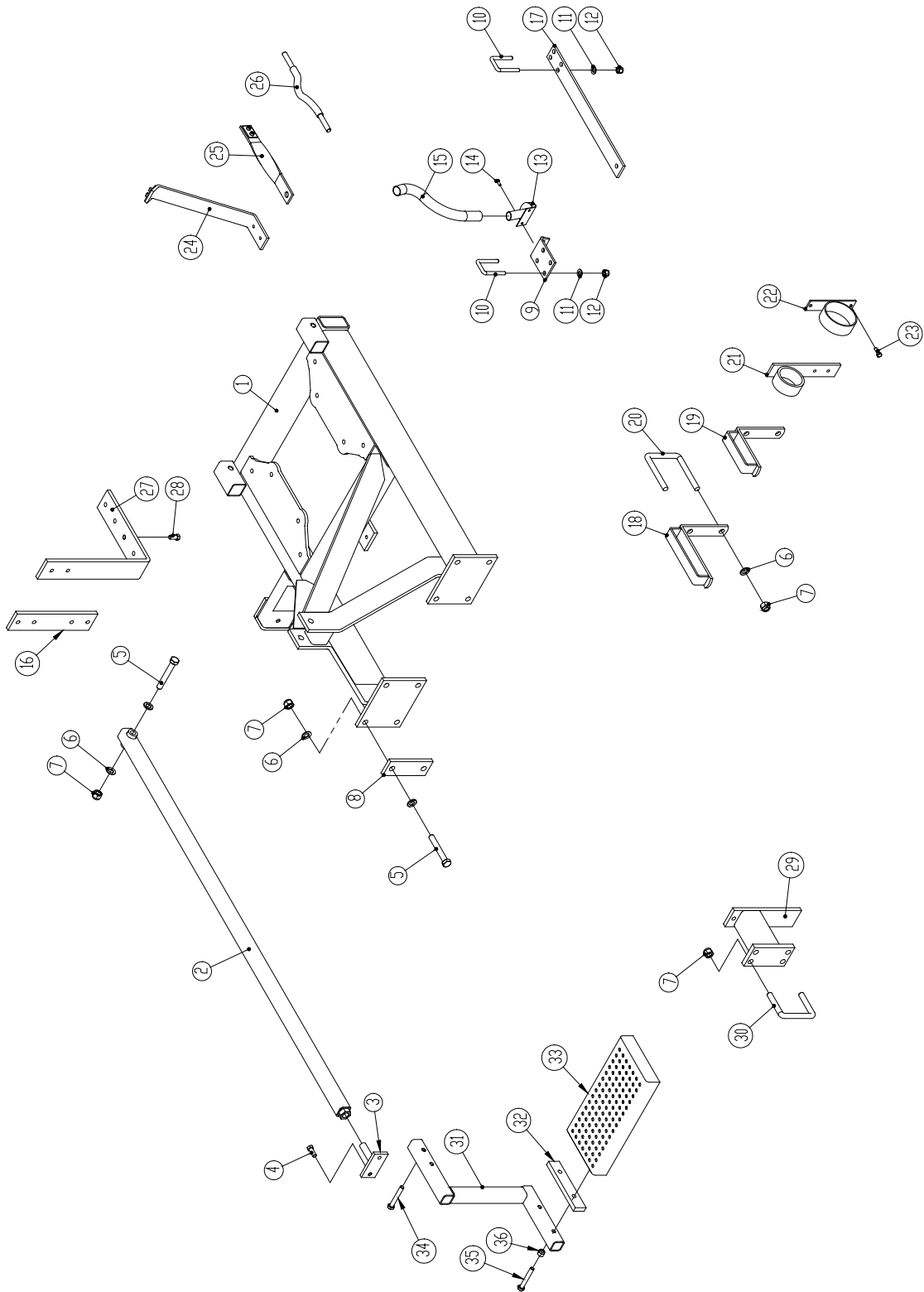
Pos.	Part No.	Description	Number
1	0468200	Hydraulic cylinder Ø40/20 – length of stroke: 99mm.	1
2	1101970	Cylinder bracket	1
3	1101960	Clamp	1
4	0235060	Hexagon bolt M10x35mm. 8.8	2
5	0264060	Lock nut M10	3
6	0236160	Hexagon bolt M20x70mm. 8.8	1
7	0264110	Lock nut M20	1
8	1102000	Cylinder box	1
9	0271580	Face plate Ø20	1
10	0373310	Split pin Ø5x32mm.	1
11	0235380	Hexagon bolt M12x50mm. 8.8	1
12	0264070	Lock nut M12	2
13	0235470	Hexagon bolt M12x110mm. 8.8	1
14	1102250	Bush Ø18/13x72mm.	1
15	1101940	Bracket for locking valve	1
16	0382160	U-bolt M16 100x100	1
17	0264090	Lock nut M16	2
18	0234370	Hexagon bolt M6x40mm. 8.8	1
19	0264040	Lock nut M6	1

Levelling plate



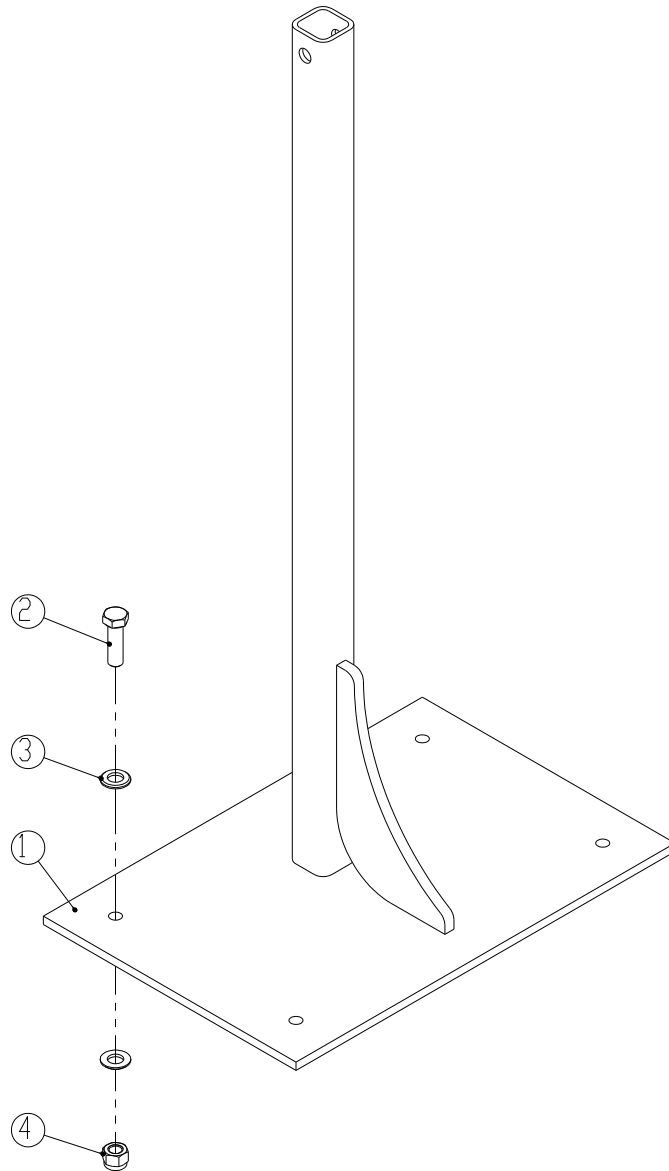
Pos.	Part No.	Description	Per link
1	1102810	Levelling plate	1
2	1102860	Tine, long model	2
3	1102850	Tine, short model	2
4	0234790	Hexagon bolt M8x40mm. 8.8	2
5	0272250	Disc Ø8	4
6	0264050	Lock nut M8	2
7	1102840	Bracket	2
8	0382120	U-bolt M12 40x40	2
9	0272270	Disc Ø12	12
10	0264070	Lock nut M12	8
11	0235370	Hexagon bolt M12x45mm. 8.8	4
12	1012520	Clamp	2

Multi-Seeder equipment



Pos.	Part No.	Description	3,0	4,5	6,0	7,5	9,0	12,0
1	1102510	Frame	-	-	-	-		1
2	1102630	Top bar	-	-	-	-	-	1
3	1102870	Guide shaft	-	-	-	1	1	1
4	0235050	Hexagon bolt M10x30mm. 8.8	-	-	-	2	2	2
5	0235910	Hexagon bolt M16x110mm. 8.8	-	-	-	1	1	1
6	0272290	Disc Ø16	-	-	-	4	8	30
7	0264090	Lock nut M16	-	-	-	2	4	15
8	645000295	Clamp	-	-	-	-	4	4
9	1132030	Clamp bracket	4	6	8	10	12	16
10	0382120	U-bolt M12 40x40	14	20	26	32	38	50
11	0272270	Disc Ø12	28	40	52	64	76	96
12	0264070	Lock nut M12	14	20	26	32	38	48
13	0539056A	Spreader plate	4	6	8	10	12	16
14	0234280	Hexagon bolt M6x16mm. 8.8	8	12	16	20	24	32
15	0539055	Seed hose Ø26 inside – number p. m.	12	18	24	30	36	48
16	645000332	Bracket for hydraulic blower	1	1	1	1	1	-
17	1132050	Bracket for distributing piece	2	3	4	5	6	-
	1133008	Bracket for distributing piece	-	-	-	-	-	8
18	1110230	Hose bracket - 135mm.	-	-	-	2	2	2
19	1110240	Hose bracket - 200mm.	-	-	-	-	2	4
20	0382160	U-bolt M16 100x100	-	-	-	2	4	6
21	1132080	Hose bracket – inside Ø74,7	-	-	-	-	-	2
22	1103300	Hose bracket – inside Ø100,8	2	2	2	2	2	2
23	0230825	Taptite M8x25mm.	4	4	4	4	4	4
24	1103050	Cable bracket	-	-	-	-	-	1
25	645000337	Cable bracket	1	1	1	1	1	-
26	0539062	Flexible driving cable – 2,1m.	1	1	1	-	-	-
	0539063	Flexible driving cable – 2,5m.	-	-	-	1	1	1
27	1103070	Bracket for hydraulic blower	-	-	-	-	-	1
28	0235040	Hexagon bolt M10x25mm. 8.8	-	-	-	-	-	2
29	1102990	Bracket for ground wheel	1	1	1	1	1	-
30	0382400	U-bolt M16 100x50	2	2	2	2	2	-
31	1102940	Staircase bracket	2	2	2	2	2	2
32	1103360	Spacer block	2	2	2	2	2	-
33	0487007	Platform	1	1	1	1	1	-
	1103473	Platform	-	-	-	-	-	1
34	0235420	Hexagon bolt M12x70	4	4	4	4	4	6
35	0235440	Hexagon bolt M12x80	2	2	2	2	2	
36	0264070	Lock nut M12	6	6	6	6	6	6

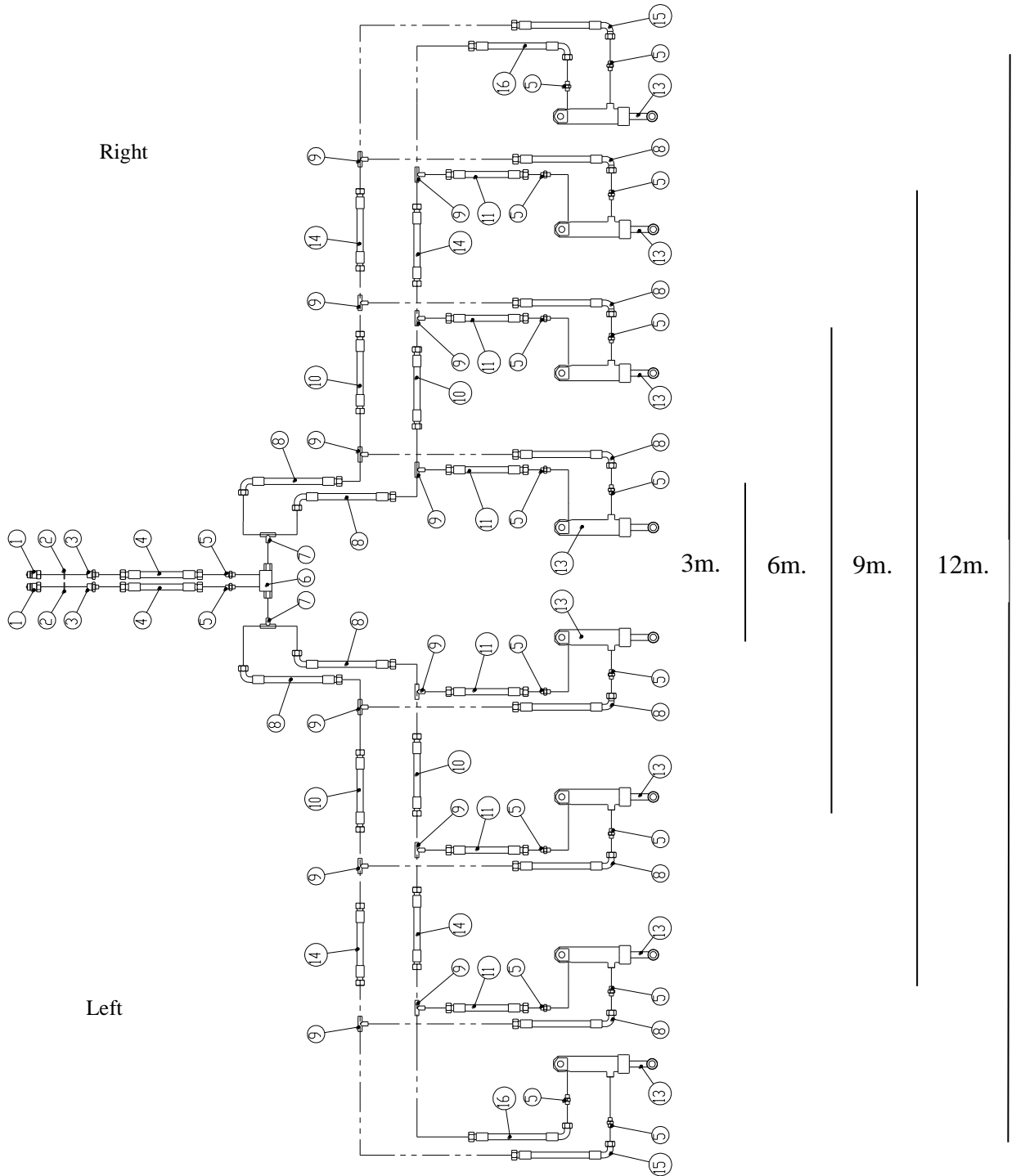
Universal-spreader bracket



Pos.	Part No.	Description	Number
1	1103380	Bracket for Universal-spreader	1
2	0235360	Hexagon bolt M12x40mm. 8.8	4
3	0272270	Disc Ø12	8
4	0264070	Lock nut M12	4

Hydraulic

Tine adjustment



Pos.	Part No.	Description	Number
1	0444020	Quick-coupling 1/2" – male	2
2	0449070	Bounded seal 1/2"	2
3	0444490	Hexagon nipple 1/2" – 1/4"	2
4	0454520	Hose 1600mm. 3/8"	2
5	0444500	Hexagon nipple 1/4" - 1x conic	18
6	0442500	Double locking valve 1/4"	1
7	0446540	T-nipple 1/4" – 1x conic	2
8	0454230	Hose 850mm. 1/4"	10
9	0446510	T-nipple 1/4"	12
10	0454550	Hose 1700mm. 1/4"	4
11	0454210	Hose 700mm. 1/4"	6
12	0468200	Hydraulic cylinder Ø40/20 – length of stroke: 99mm.	8
13	0454450	Hose 1500mm. 1/4"	4
14	0454610	Hose 2150mm. 1/4"	2
15	0454590	Hose 2000mm. 1/4"	2

Note

GOOD AS IT LOOKS!

AS GOOD AS IT LOOKS!

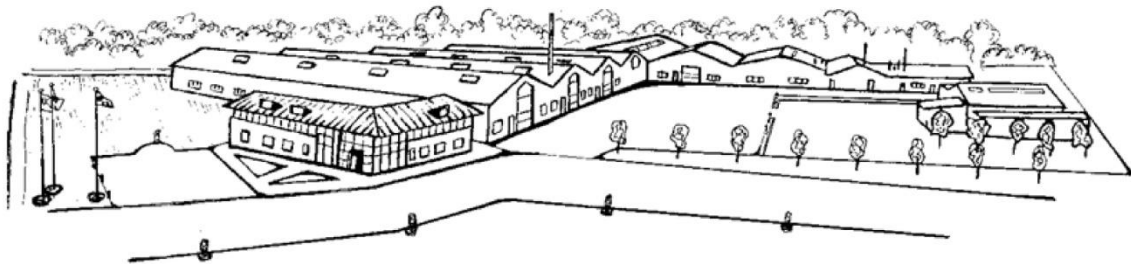
AS GOOD AS IT LOOKS!

AS GOOD AS IT LOOKS!

AS GOOD AS



2010
Denmark



The design is subject to modification without notice.